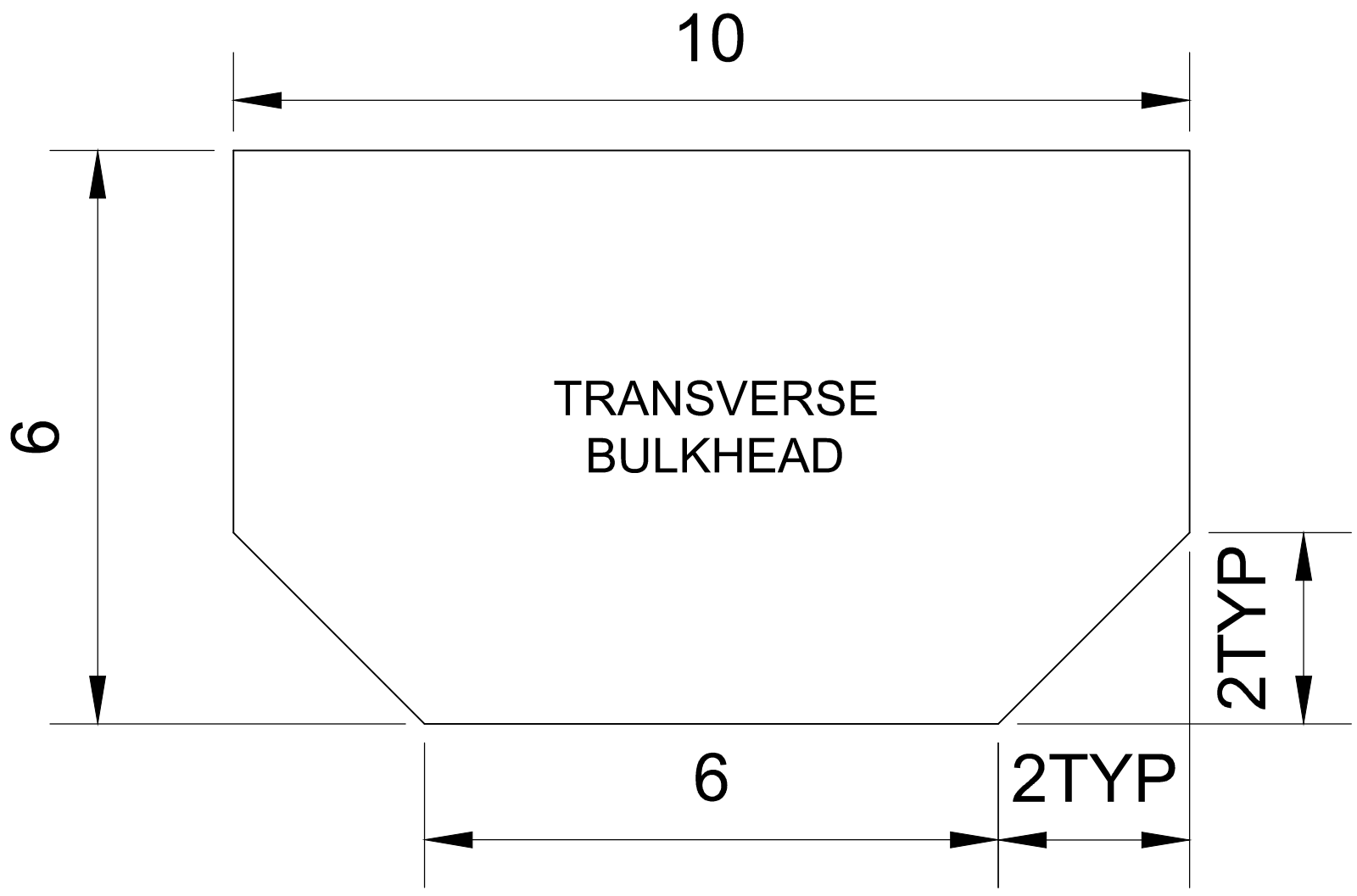


1 2 3 4 5 6 7 8 9 10 11 12

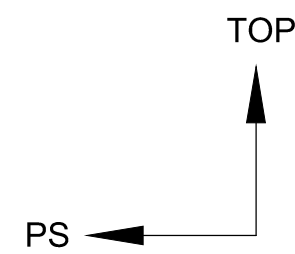
A B C D E F G H

BILL OF MATERIALS		
NAME	QUANTITY	MATERIAL DESCRIPTION
MIDSHIP - TRANSVERSE BULKHEAD	2	0.5CM THICK FOAM BOARD

NOTES:  
1. ALL DIMENSIONS IN CENTIMETERS



SECTION  
LKG FWD

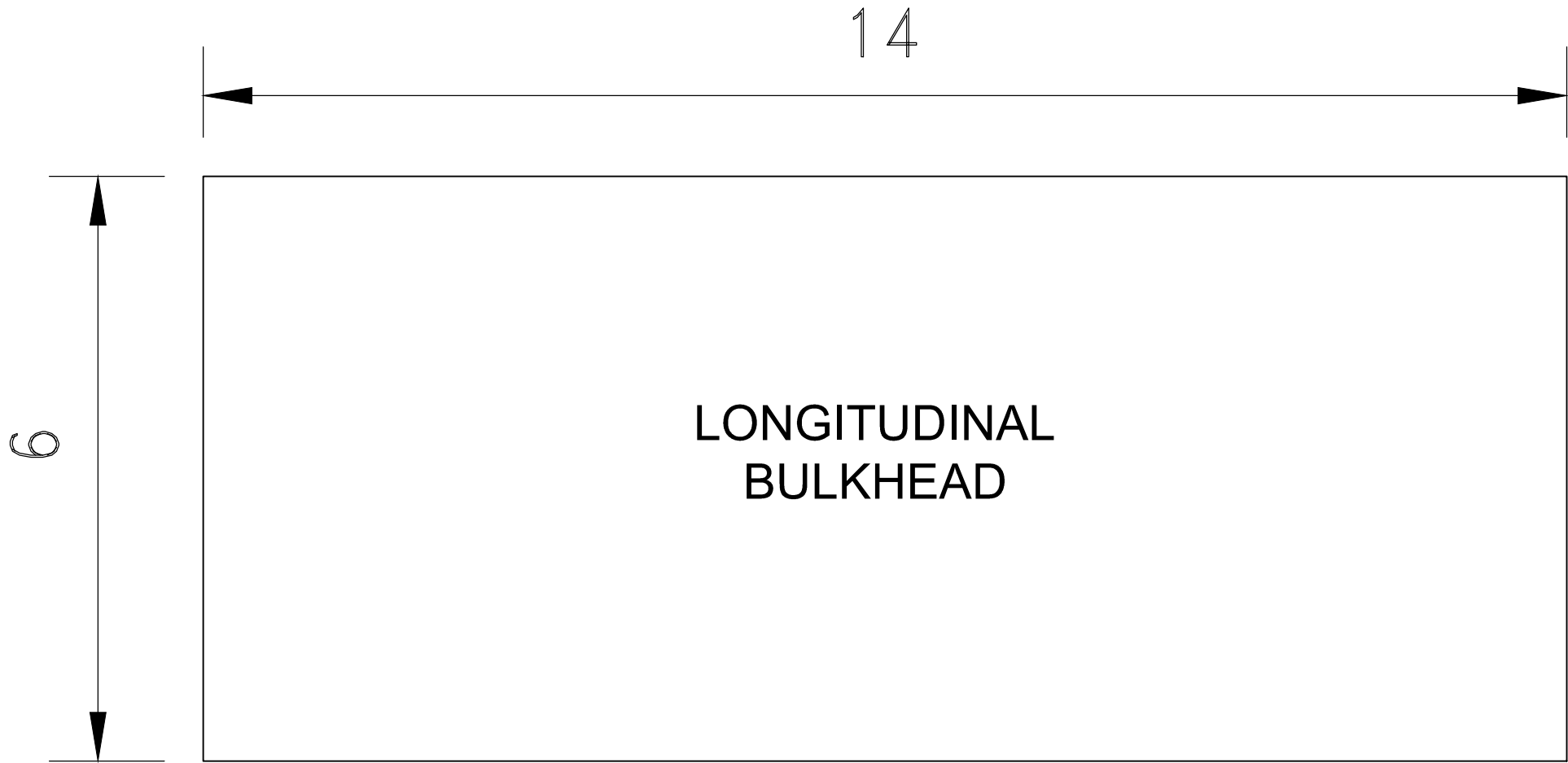


	FABRICATION DRAWING			
	MIDSHIP - TRANSVERSE BULKHEAD			
MEGA BLOCK 2				
DWN	K. JACKMAN	CHK	C. BANKS	
UNITS	MILLIMETERS	SCALE	NTS	SIZE D
SHEET	1	DATE	2018-10-29	
SHIP 1	BWG NO	A01-MIDSHIP PACKAGE-001	REV	A

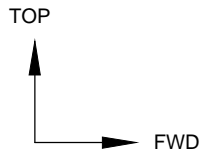
1 2 3 4 5 6 7 8 9 10 11 12


BILL OF MATERIALS		
NAME	QUANTITY	MATERIAL DESCRIPTION
MIDSHIP - LONGITUDINAL BULKHEAD	1	0.5CM THICK FOAM BOARD

**NOTES:**  
 1. ALL DIMENSIONS IN CENTIMETERS



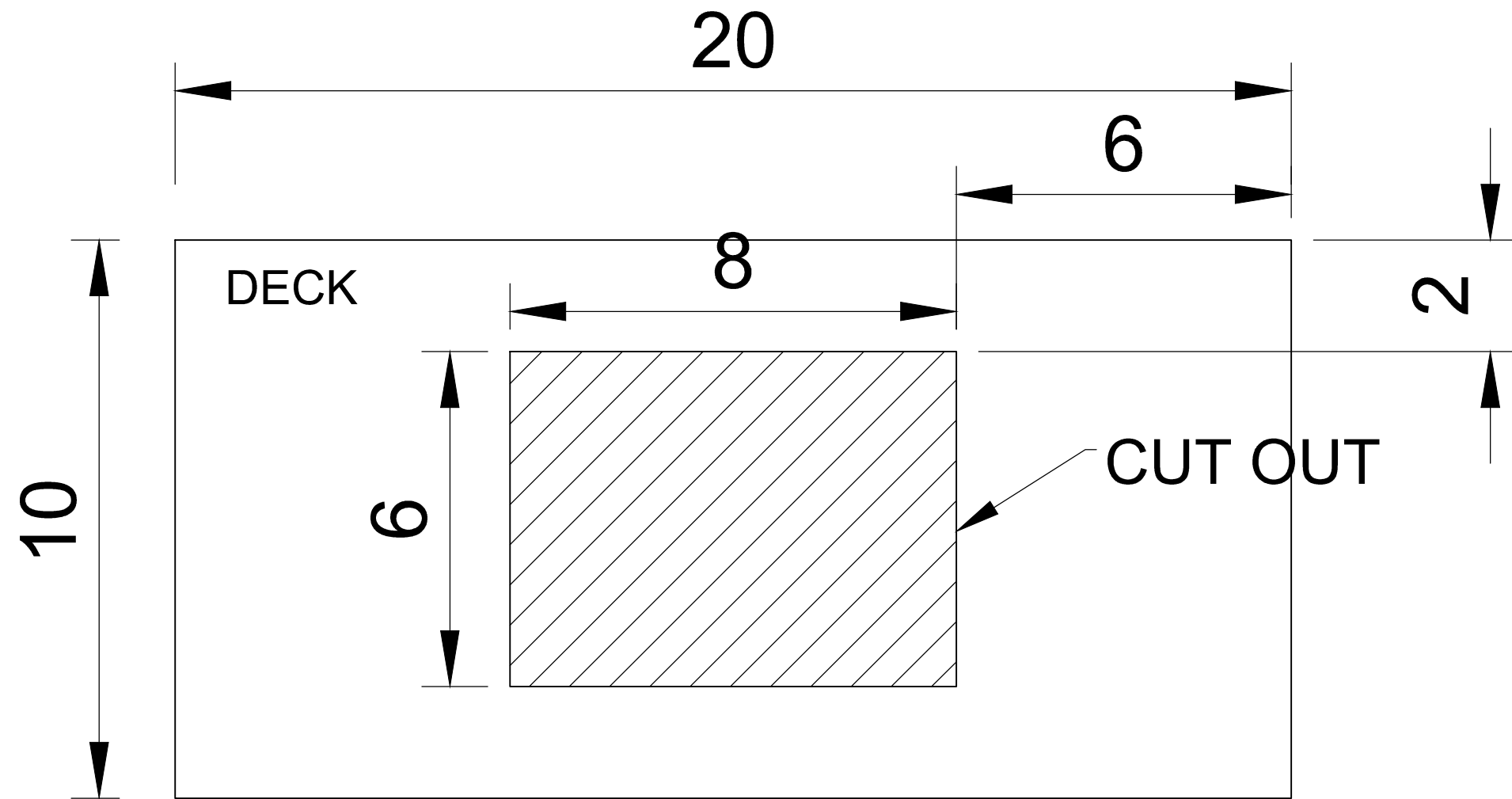
**SECTION**  
**LKG PORT**



 <small>Irving Shipbuilding Inc.</small>	<b>FABRICATION DRAWING</b> <b>MIDSHIP-LONGITUDINAL BULKHEAD</b> <b>MEGA BLOCK 2</b>			
	DWN <b>STEM CLASS</b>	K. JACKMAN	CHK C. BANKS	SCALE NTS
SHEET	1	DATE	2018-10-29	
SHIP 1	DWG NO A01-MIDSHIP PACKAGE-002	REV A		

BILL OF MATERIALS		
NAME	QUANTITY	MATERIAL DESCRIPTION
MIDSHIP - DECK	1	0.5CM THICK FOAM BOARD

NOTES:  
1. ALL DIMENSIONS IN CENTIMETERS



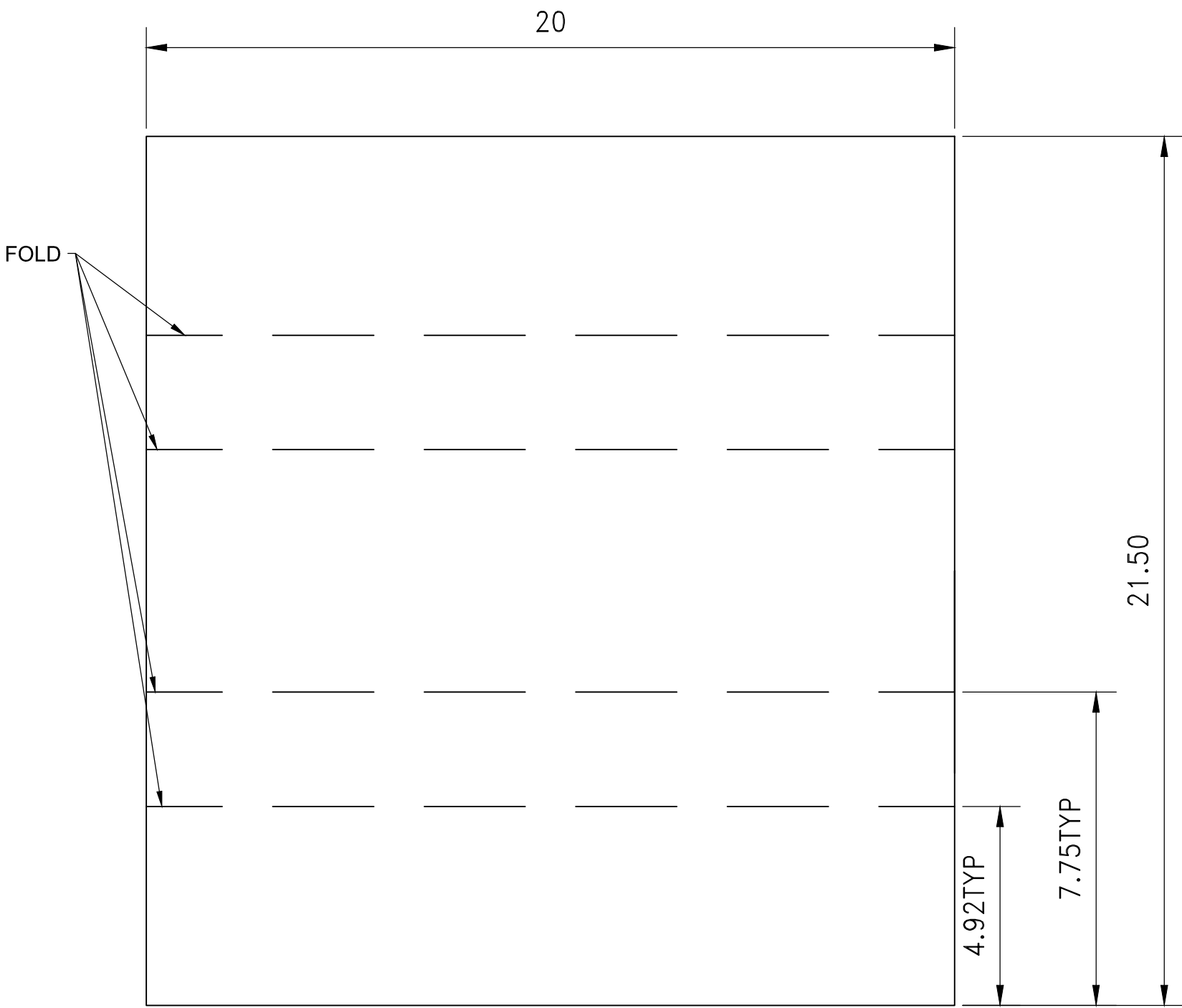
PLAN VIEW  
LKG DOWN

PORT ↑  
FWD →

	FABRICATION DRAWING			
	MIDSHIP - DECK			
	MEGA BLOCK 2			
	DWN	K. JACKMAN	CHK	C. BANKS
STEM CLASS	UNITS MILLIMETERS	SCALE NTS	SIZE D	
SHEET	1	DATE	2018-10-29	
SHIP 1	DWG NO	A01-MIDSHIP PACKAGE-003	REV A	

1 2 3 4 5 6 7 8 9 10 11 12

A  
B  
C  
D  
E  
F  
G  
H

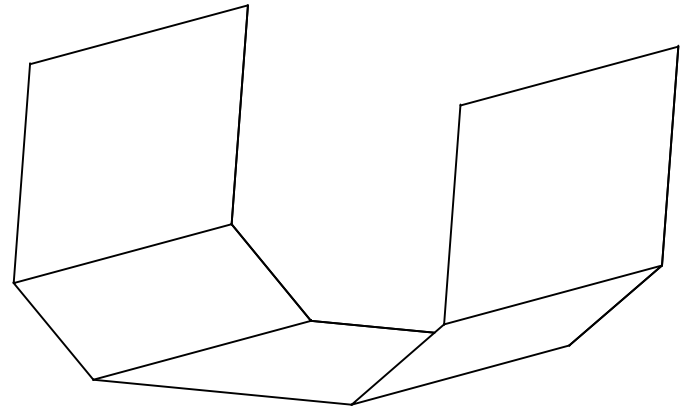


PLAN VIEW 2  
LKG DOWN

PORT  
FWD

BILL OF MATERIALS		
NAME	QUANTITY	MATERIAL DESCRIPTION
MIDSHIP - SHELL	1	21.5X28CM BLACK PLASTIC PAPER

NOTES:  
1.ALL DIMENSIONS IN CENTIMETERS  
2.DRAW AND FOLD ALONG FOLD LINES

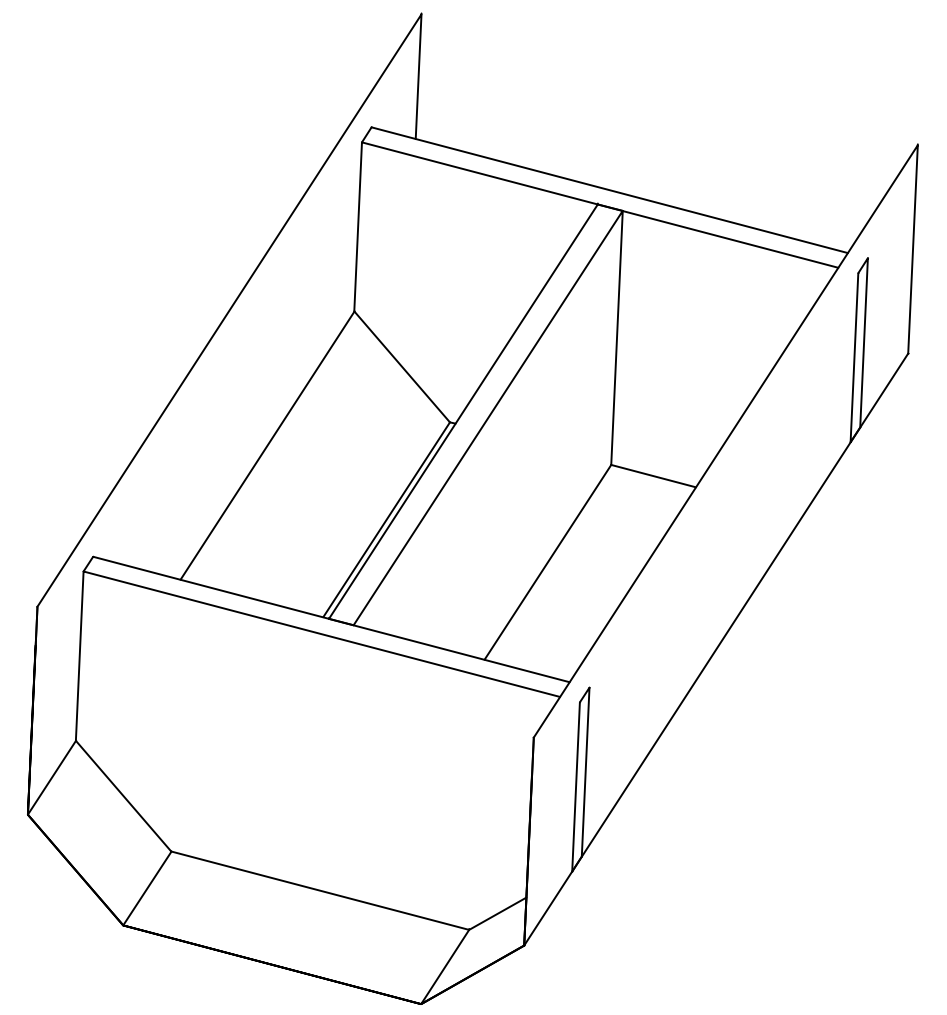
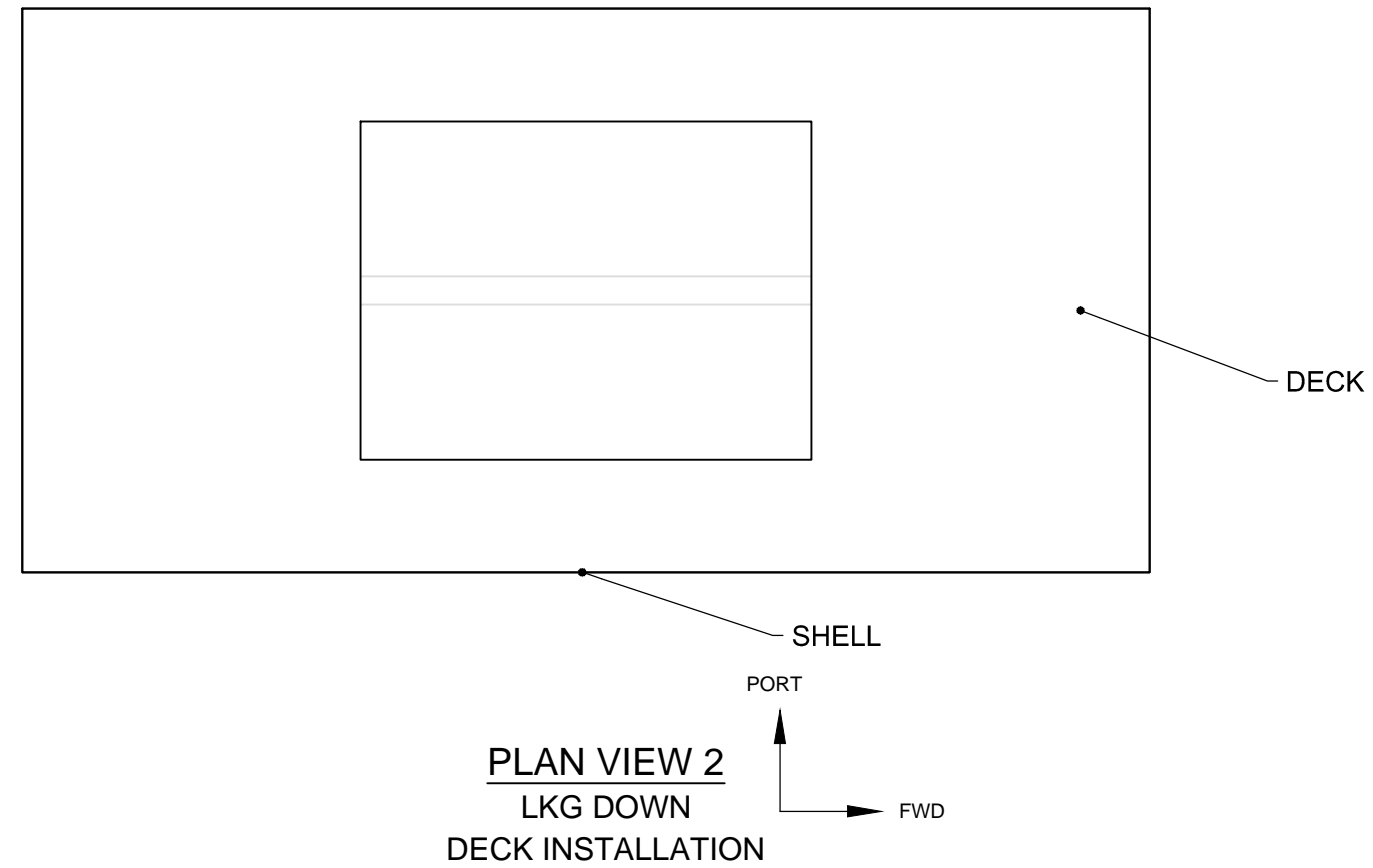
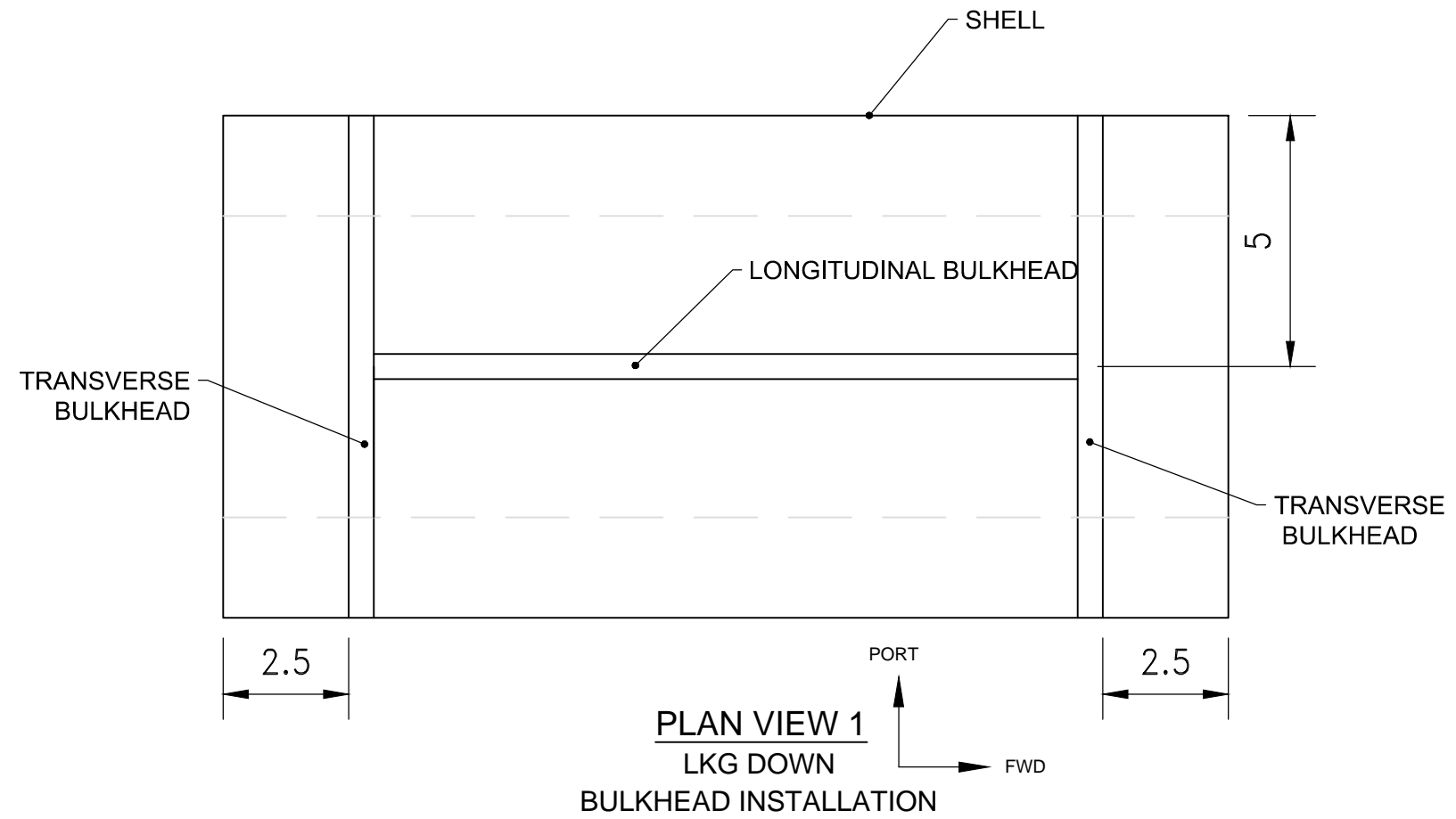


3D VIEW

	FABRICATION DRAWING			
	MIDSHIP-SHELL			
	MEGA BLOCK 2			
	DWN	K.JACKMAN	CHK	C.BANKS
STEM CLASS	UNITS	MILLIMETERS	SCALE	NTS
	SHEET	1	DATE	2018-10-29
SHIP 1	BWG NO	A01-MIDSHIP PACKAGE-004		REV
				A

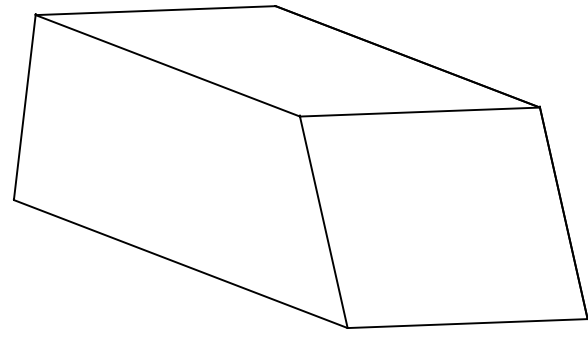
PARTS LIST	
NAME	QUANTITY
MIDSHIP - SHELL	1
MIDSHIP - LONGITUDINAL BULKHEAD	1
MIDSHIP - TRANSVERSE BULKHEAD	2
MIDSHIP - DECK	1

NOTES:  
 1. ALL DIMENSIONS IN CENTIMETERS  
 2. INSTALL TRANSVERSE AND LONGITUDINAL BULKHEADS ONTO THE SHELL AS SHOWN IN PLAN VIEW 1.  
 3. INSTALL DECK ON TOP AS SHOWN IN PLAN VIEW 2.



3D VIEW  
(DECK NOT SHOWN FOR CLARITY)

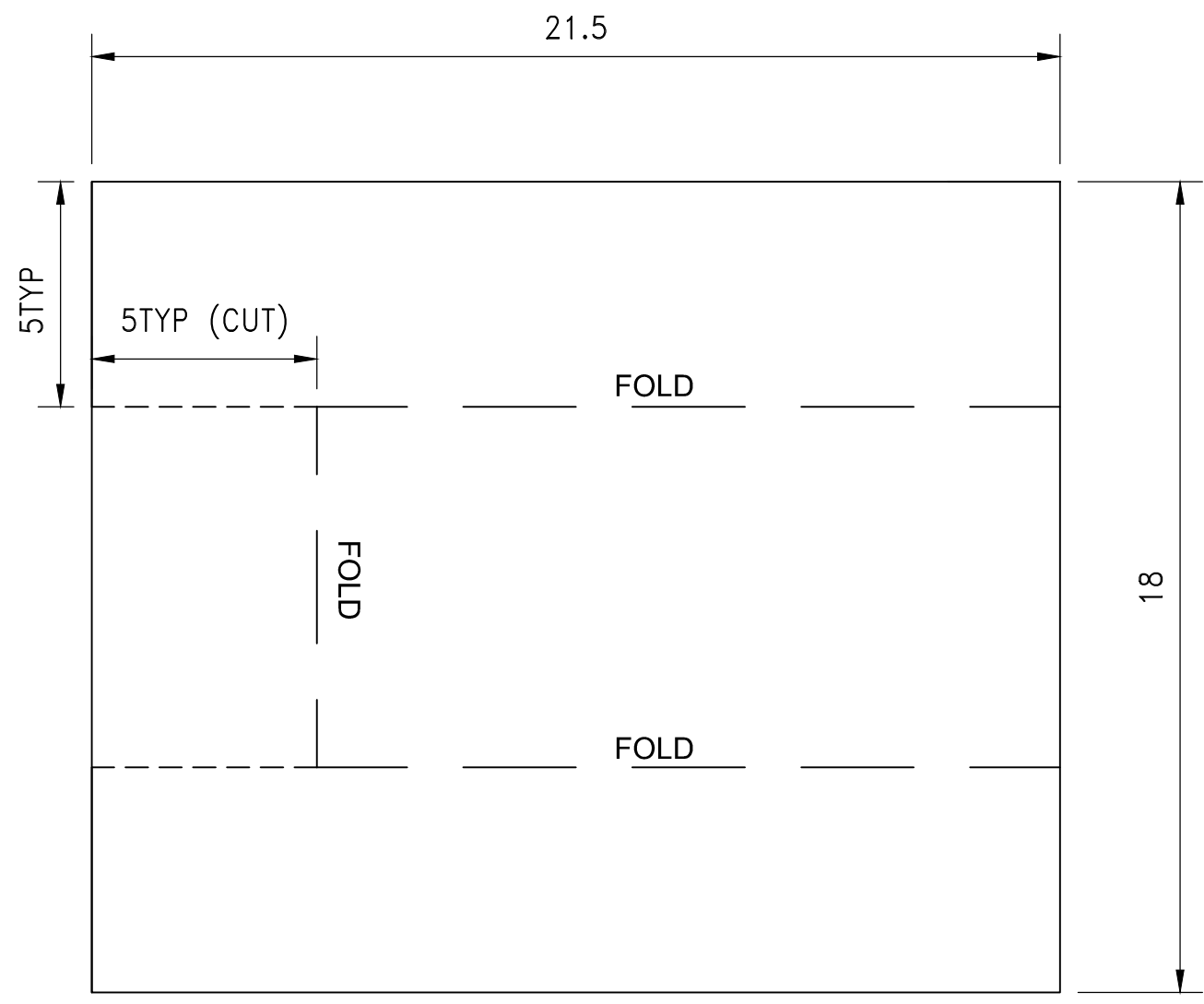
	ASSEMBLY DRAWING					
	MIDSHIP ASSEMBLY					
	MEGA BLOCK 2					
	DWN	K. JACKMAN	CHK	C. BANKS		
STEM CLASS	UNITS	MILLIMETERS	SCALE	NTS	SIZE	D
SHIP 1	SHEET	1	DATE	2018-10-29	REV	A
	BWG NO	A01-MIDSHIP PACKAGE-005				



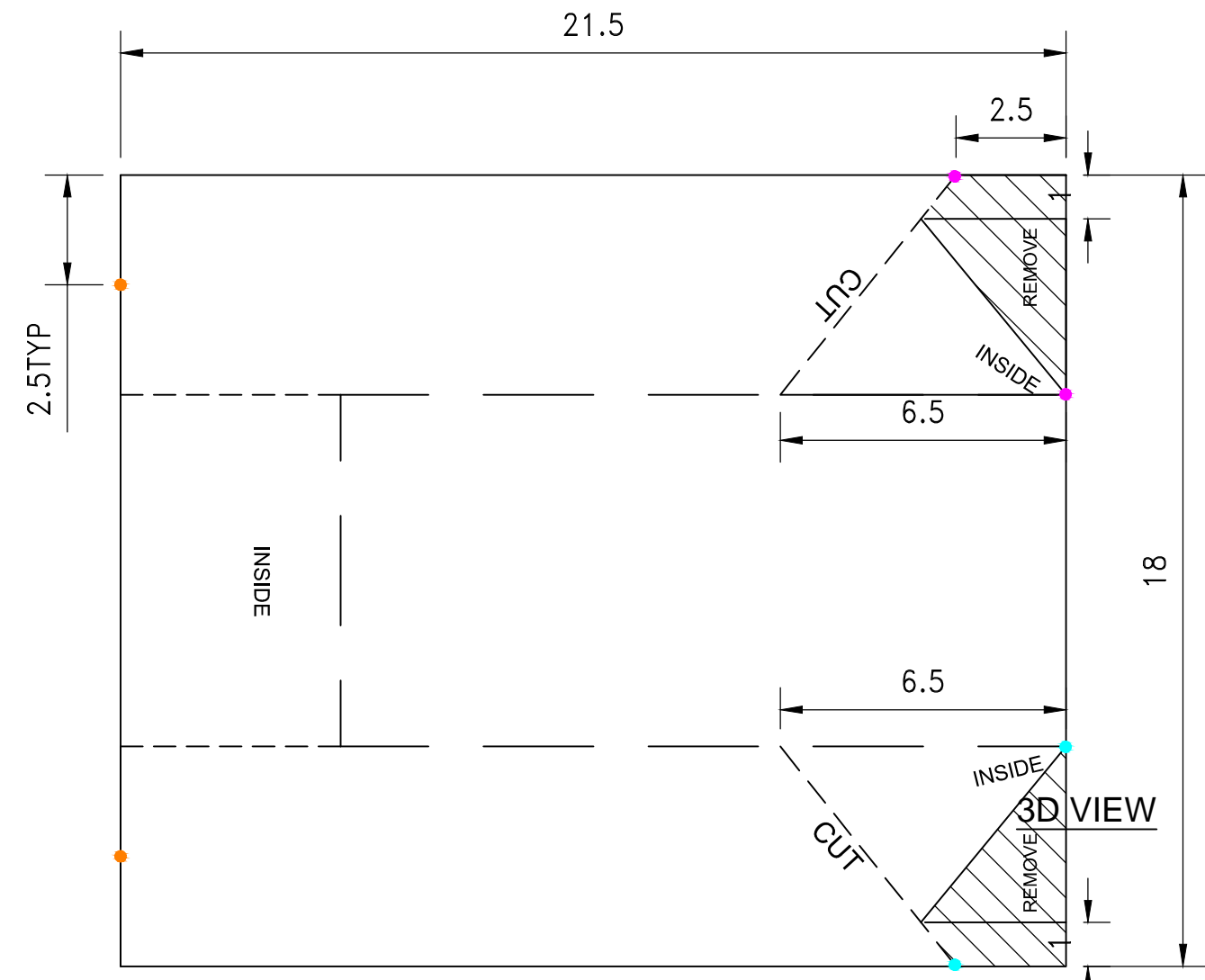
**3D VIEW**

BILL OF MATERIALS		
NAME	QUANTITY	MATERIAL DESCRIPTION
SUPERSTRUCTURE	1	21.5X28CM BLACK PLASTIC PAPER

- NOTES:**
1. ALL DIMENSIONS IN CENTIMETERS
  2. FOLD ALONG FOLD LINES, AND CUT SECTIONS AS SHOWN.
  2. ONCE FOLDING AND CUTTING IS COMPLETE, BRING THE ORANGE CIRCLES TOGETHER WITH THE MIDDLE SECTION INSIDE.
  3. BRING THE BLUE CIRCLES TOGETHER, WITH THE INNER TRIANGLES ON THE INSIDE AS INDICATED. DO THE SAME WITH THE OTHER SIDE (PINK CIRCLES).



**PLAN VIEW 1**  
LKG DOWN  
DECK INSTALLATION

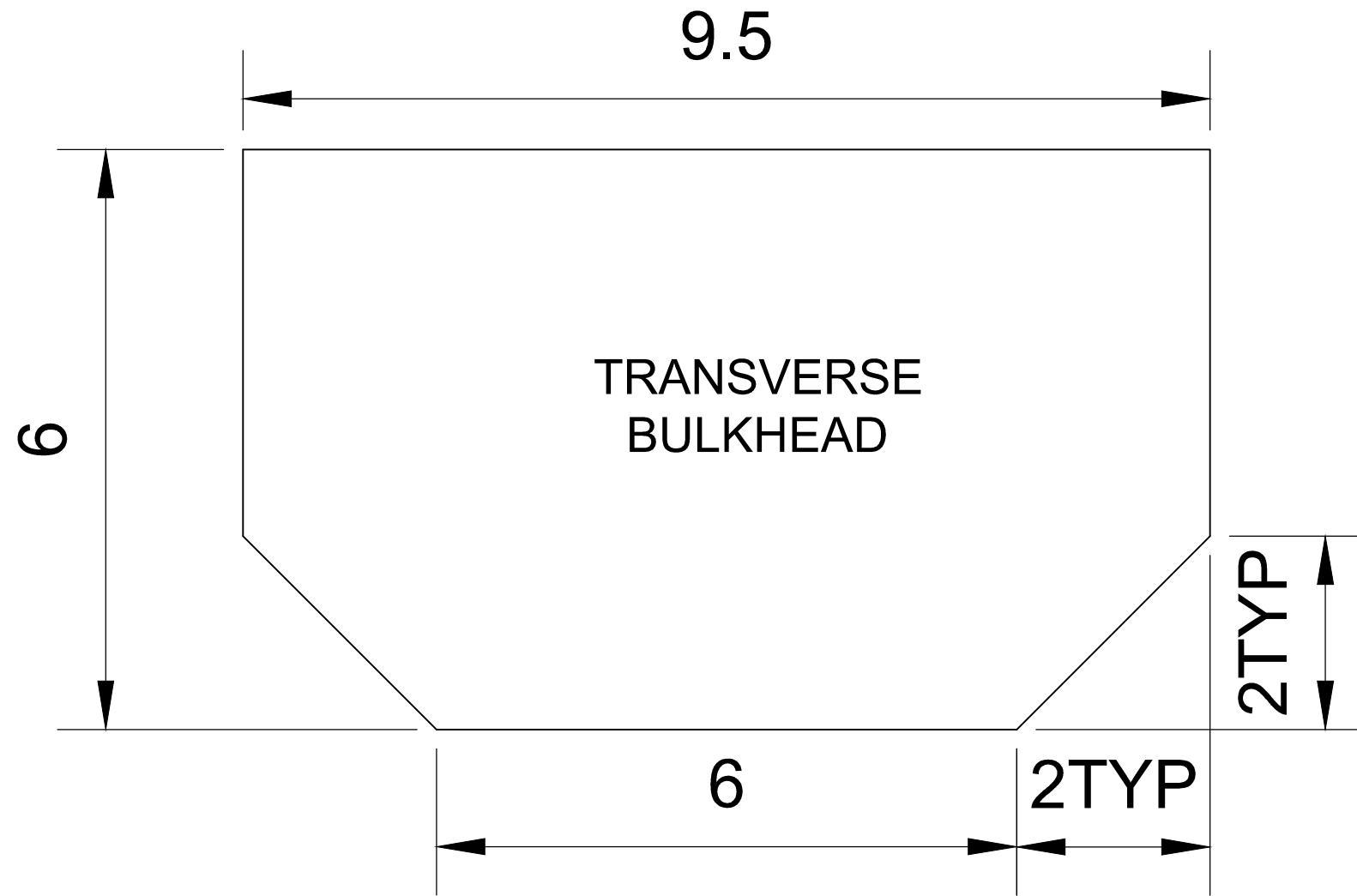


**PLAN VIEW 2**  
LKG DOWN  
DECK INSTALLATION

	ASSEMBLY DRAWING SUPERSTRUCTURE ASSEMBLY			
	DWN	K. JACKMAN	CHK	C. BANKS
	UNITS	MILLIMETERS	SCALE	NTS
	SHEET	1	DATE	2018-10-29
SHIP 1	A01-MIDSHIP PACKAGE-006		REV	A

BILL OF MATERIALS		
NAME	QUANTITY	MATERIAL DESCRIPTION
STERN - TRANSVERSE BULKHEAD	1	0.5CM THICK FOAM BOARD

NOTES:  
1. ALL DIMENSIONS IN CENTIMETERS



TRANSVERSE  
BULKHEAD

SECTION  
LKG FWD

TOP

PS

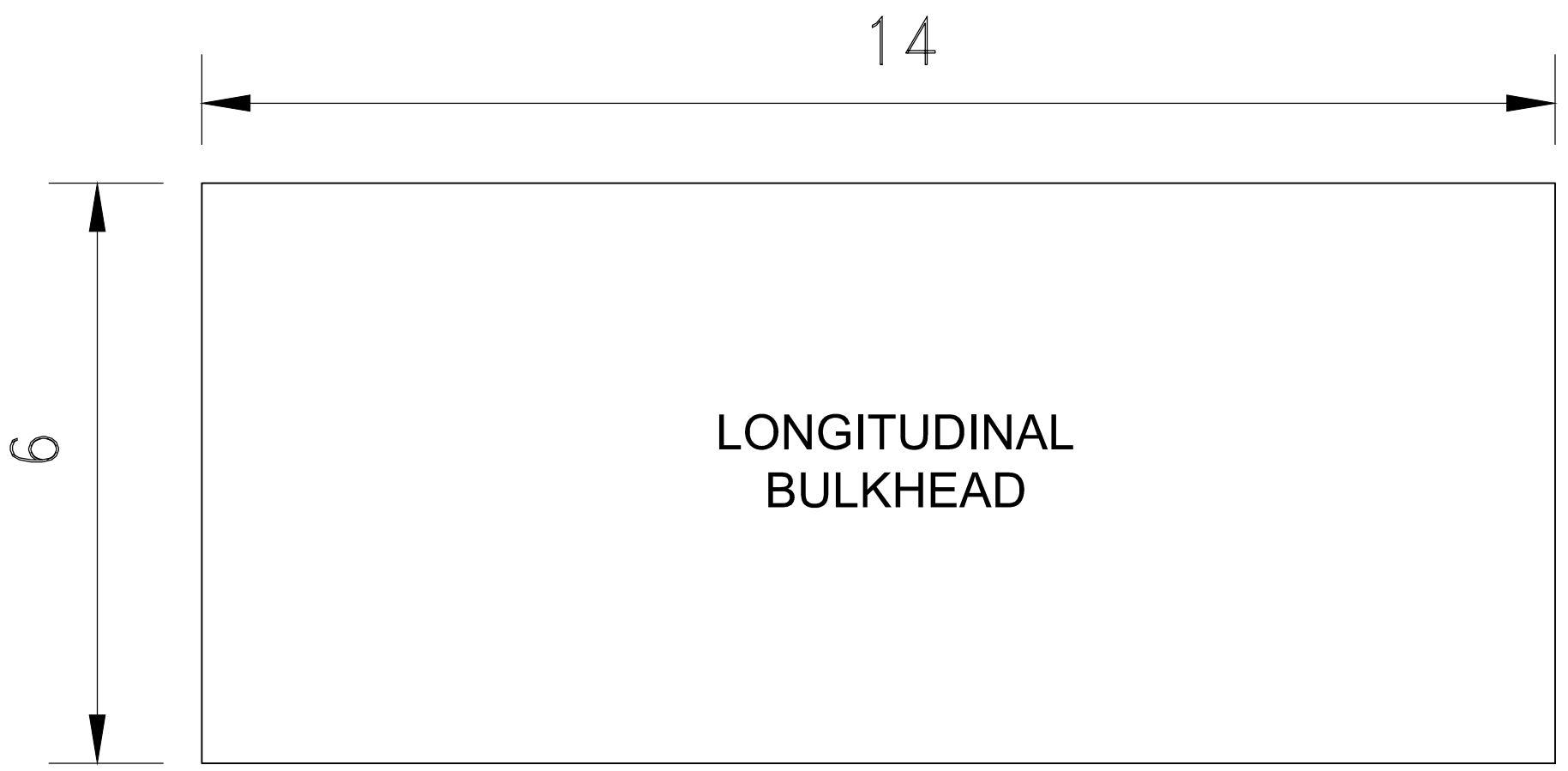
	FABRICATION DRAWING					
	STERN - TRANSVERSE BULKHEAD					
	MEGA BLOCK 1					
	DWN	K. JACKMAN	CHK	C. BANKS		
STEM CLASS	UNITS	MILLIMETERS	SCALE	NTS	SIZE	D
SHIP 1	SHEET	1	DATE	2018-10-29	REV	A
	BWG NO	A01-STERN PACKAGE-001				

1 2 3 4 5 6 7 8 9 10 11 12

A  
B  
C  
D  
E  
F  
G  
H

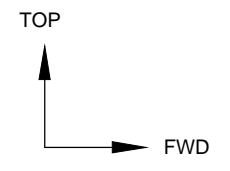
BILL OF MATERIALS		
NAME	QUANTITY	MATERIAL DESCRIPTION
STERN - LONGITUDINAL BULKHEAD	1	0.5CM THICK FOAM BOARD


**NOTES:**  
 1. ALL DIMENSIONS IN CENTIMETERS



LONGITUDINAL  
BULKHEAD

SECTION  
LKG PORT



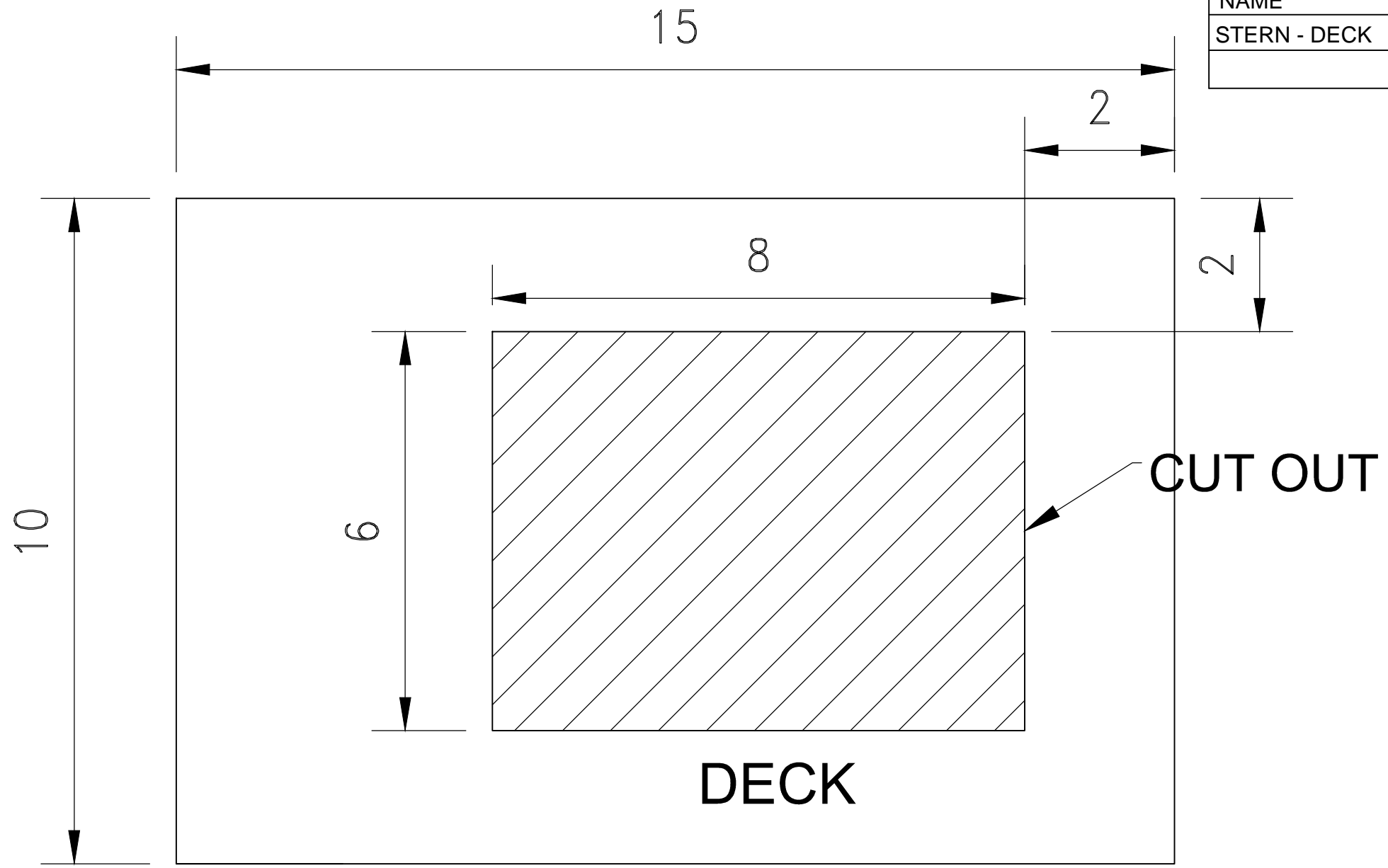
 <b>STEM CLASS</b> <b>SHIP 1</b>	FABRICATION DRAWING STERN - LONGITUDINAL BULKHEAD MEGA BLOCK 1			
	DWN	K. JACKMAN	CHK	C. BANKS
	UNITS	MILLIMETERS	SCALE	NTS
	SHEET	1	DATE	2018-10-29
BWG NO	A01-STERN PACKAGE-002		REV	A

1 2 3 4 5 6 7 8 9 10 11 12



1 2 3 4 5 6 7 8 9 10 11 12

A  
B  
C  
D  
E  
F  
G  
H



BILL OF MATERIALS		
NAME	QUANTITY	MATERIAL DESCRIPTION
STERN - DECK	1	0.5CM THICK FOAM BOARD

NOTES:  
1. ALL DIMENSIONS IN CENTIMETERS

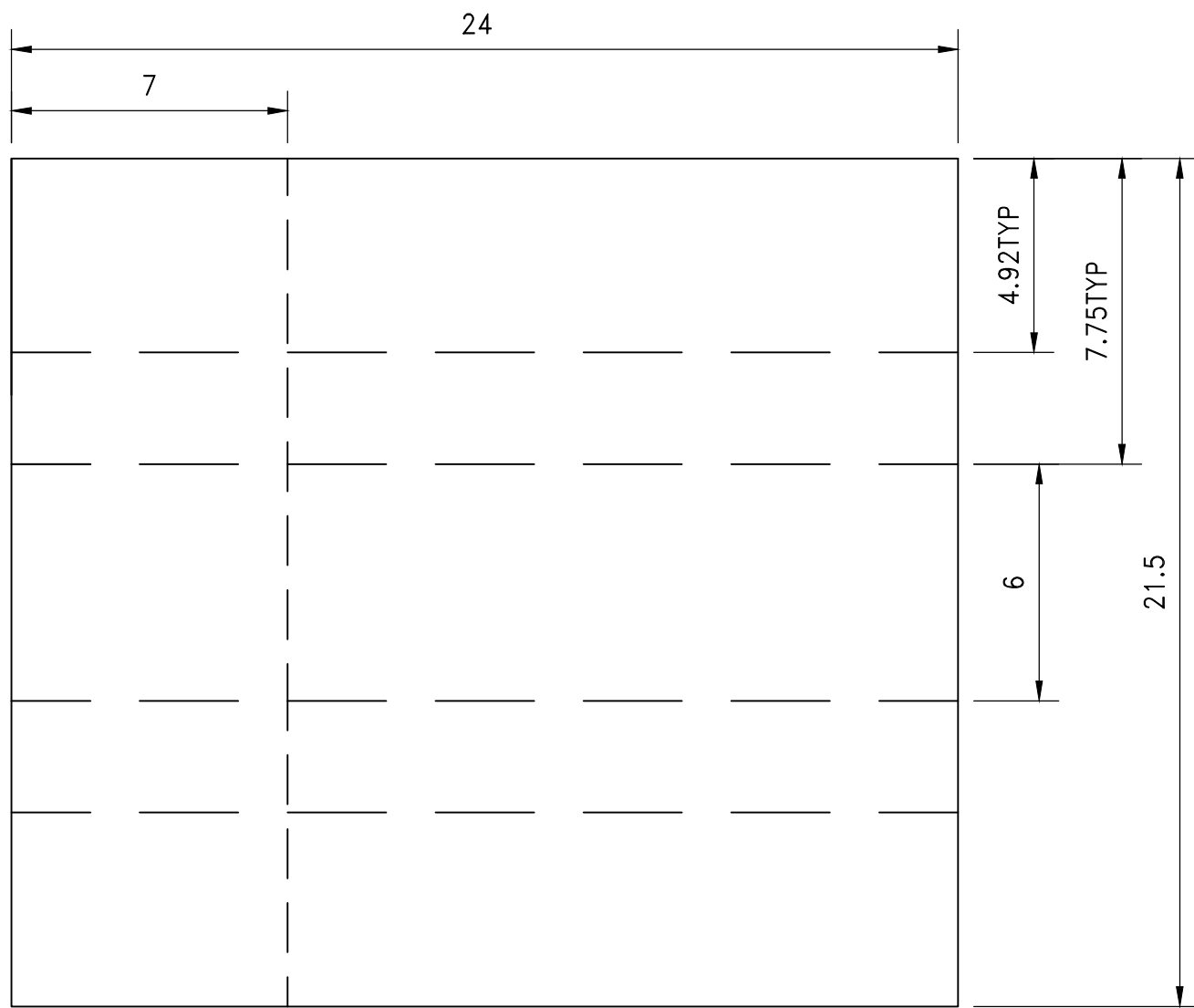
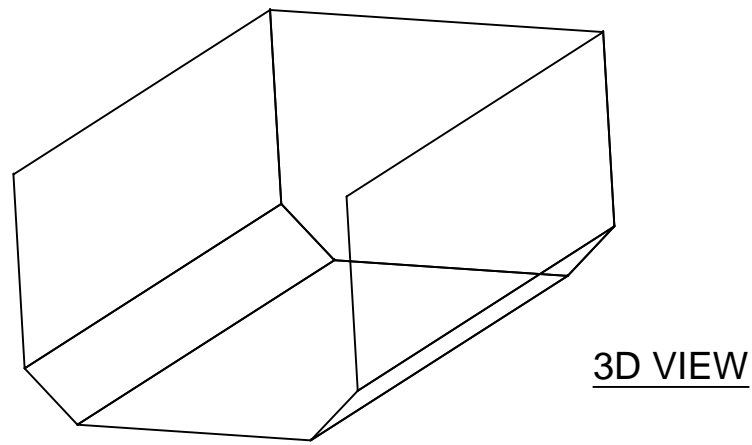
PLAN VIEW  
LKG DOWN

PORT

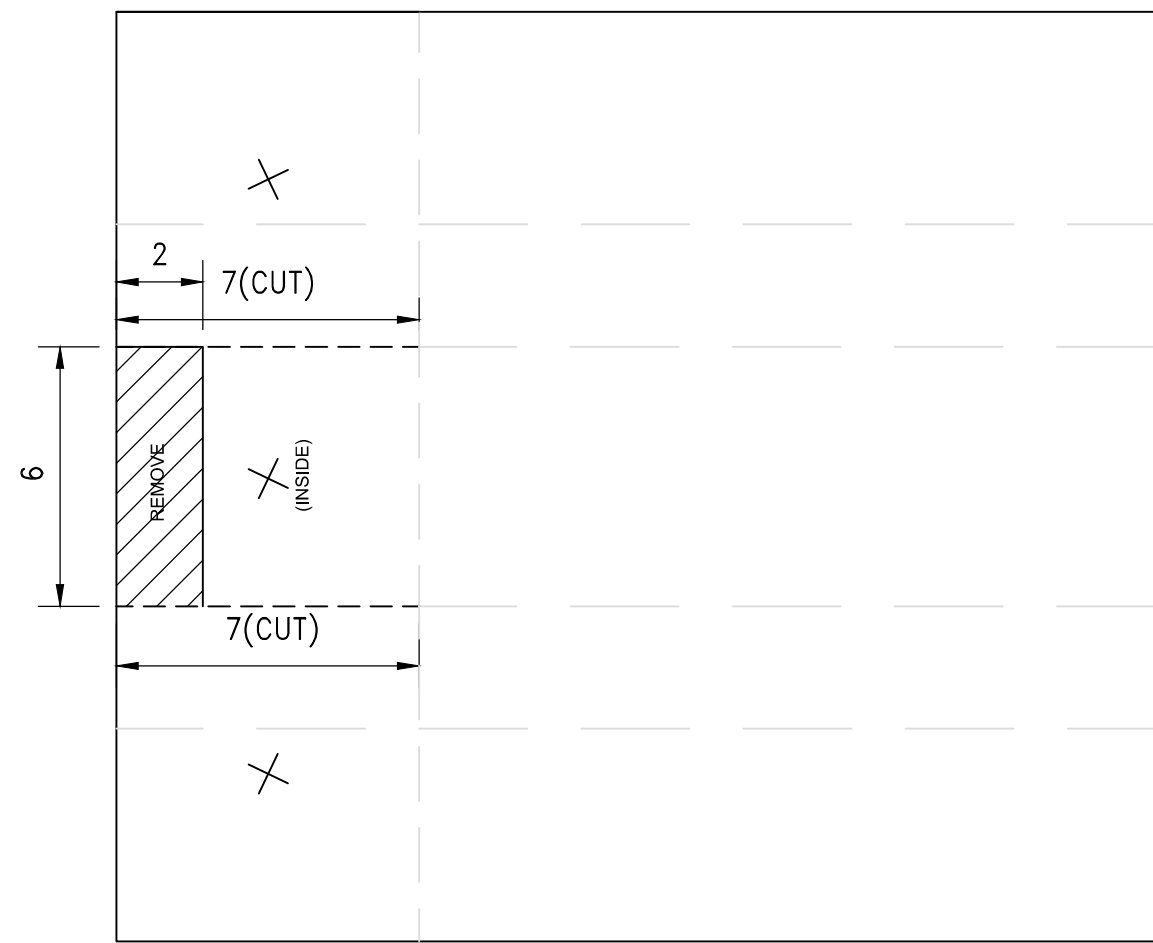
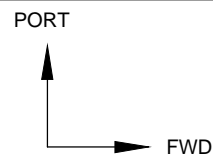
FWD

	FABRICATION DRAWING			
	STERN - DECK			
	MEGA BLOCK 1			
	DWN	K. JACKMAN	CHK	C. BANKS
STEM CLASS	UNITS MILLIMETERS	SCALE	NTS	SIZE D
SHIP 1	SHEET 1	DATE	2018-10-29	REV A
	DWG NO	A01-STERN PACKAGE-003		REV A

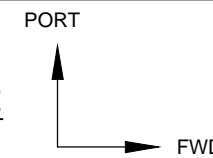
1 2 3 4 5 6 7 8 9 10 11 12



**PLAN VIEW 1**  
LKG DOWN



**PLAN VIEW 2**  
LKG DOWN

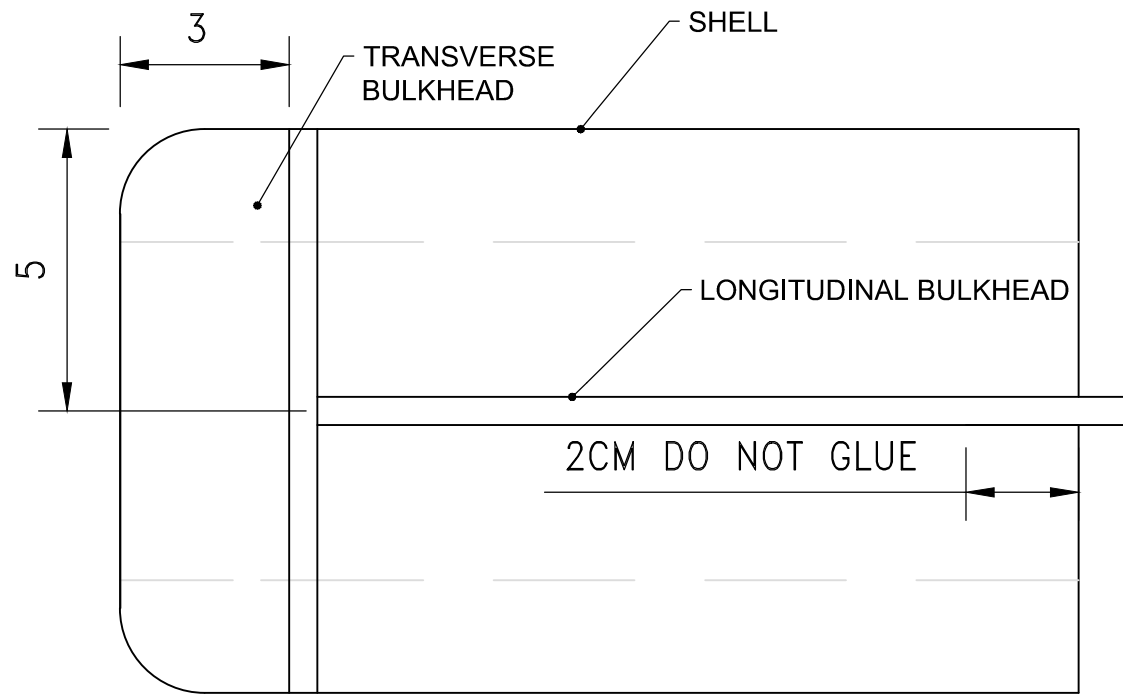


BILL OF MATERIALS		
NAME	QUANTITY	MATERIAL DESCRIPTION
STERN - SHELL	1	21.5X28CM BLACK PLASTIC PAPER

**NOTES:**

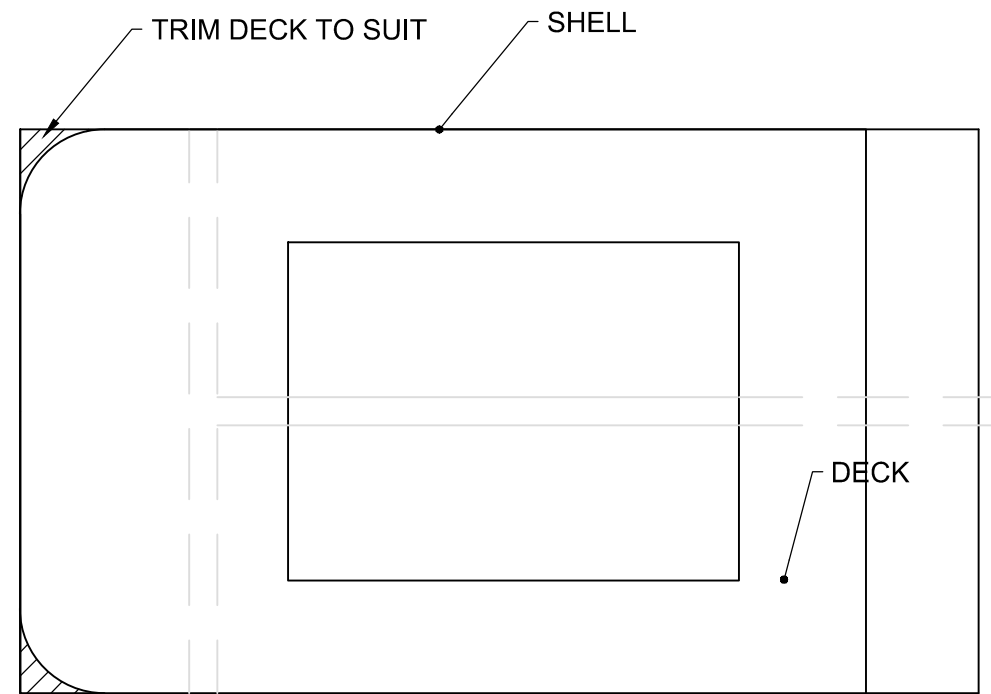
1. ALL DIMENSIONS IN CENTIMETERS
2. FIRST DRAW ALL THE FOLD LINES AS SHOWN IN PLAN VIEW 1, DO NOT FOLD YET.
3. CUT ALONG THE LINES SHOWN IN PLAN VIEW 2.
4. MARK AN X IN THE CENTER OF THE THREE END SECTIONS.
5. FOLD ALONG THE FOLD LINES.
6. BRING THE END SECTIONS TOGETHER SO THAT THE X'S ALL OVERLAP, WITH THE MIDDLE SECTION ON THE INSIDE.

	FABRICATION DRAWING			
	STERN - SHELL			
	MEGA BLOCK 1			
	DWN	K. JACKMAN	CHK	C. BANKS
STEM CLASS	UNITS MILLIMETERS	SCALE	NTS	SIZE D
SHEET	1	DATE	2018-10-29	
SHIP 1	DWG NO. A01-STERN PACKAGE-004		REV	A



PLAN VIEW 1  
LKG DOWN  
BULKHEAD INSTALLATION

PORT ↑  
FWD →



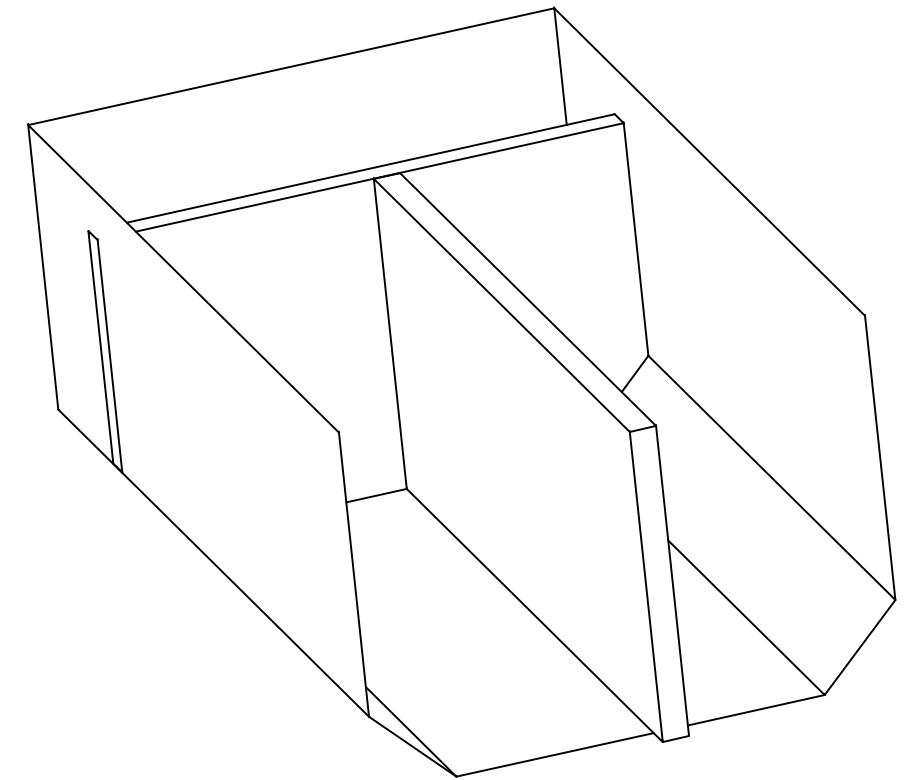
PLAN VIEW 2  
LKG DOWN  
DECK INSTALLATION

PORT ↑  
FWD →

PARTS LIST	
NAME	QUANTITY
STERN - SHELL	1
STERN - LONGITUDINAL BULKHEAD	1
STERN- TRANSVERSE BULKHEAD	1
STERN - DECK	1

**NOTES:**

1. ALL DIMENSIONS IN CENTIMETERS
2. INSTALL TRANSVERSE AND LONGITUDINAL BULKHEADS ONTO THE SHELL AS SHOWN IN PLAN VIEW 1.
3. INSTALL DECK ON TOP AS SHOWN IN PLAN VIEW 2.

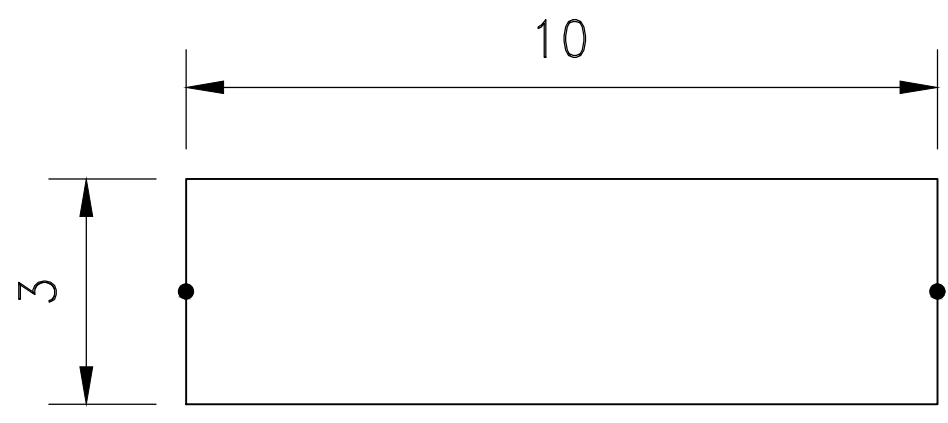


3D VIEW  
(DECK NOT SHOWN FOR CLARITY)

	ASSEMBLY DRAWING			
	STERN ASSEMBLY			
	MEGA BLOCK 1			
	DWN	K. JACKMAN	CHK	C. BANKS
STEM CLASS	UNITS MILLIMETERS	SCALE NTS	SIZE D	
SHIP 1	SHEET 1	DATE 2018-10-29	REV A	
	BWG NO	A01-STERN PACKAGE-005		

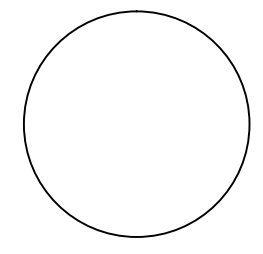
BILL OF MATERIALS		
NAME	QUANTITY	MATERIAL DESCRIPTION
MAST	1	21.5X28CM BLACK PLASTIC PAPER

- NOTES:**
1. ALL DIMENSIONS IN CENTIMETERS
  2. ROLL THE PAPER OVERLAPPING THE BLACK DOTS.
  3. USE ROLLED PAPER TO TRACE A CIRCLE FOR THE TOP.
  4. INSTALL FLAG ON TOP.



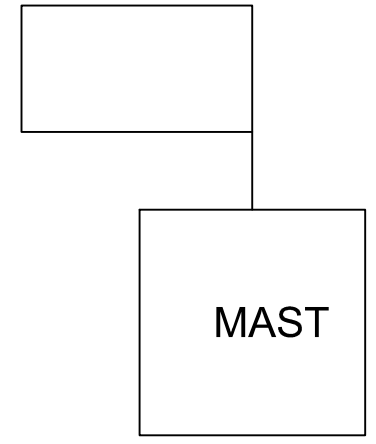
**SECTION 1**  
LKG PORT

TOP ↑  
FWD →



**PLAN VIEW**  
LKG DOWN

PORT ↑  
FWD →



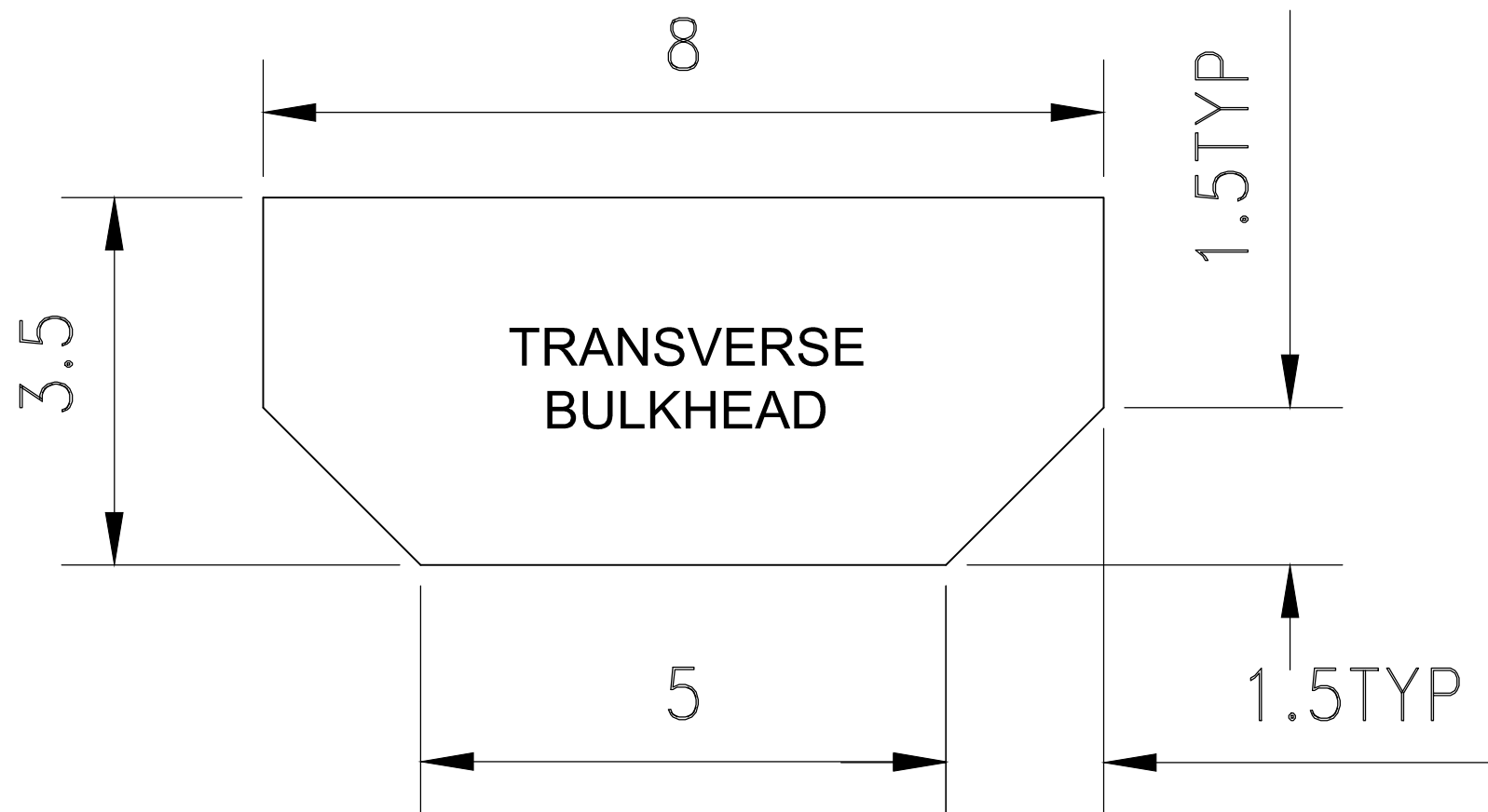
**SECTION 2**  
LKG PORT

TOP ↑  
FWD →

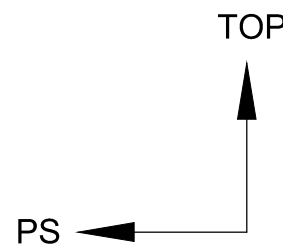
	ASSEMBLY DRAWING MAST ASSEMBLY			
	DWN	K. JACKMAN	CHK	C. BANKS
	UNITS	MILLIMETERS	SCALE	NTS SIZE D
	SHEET	1	DATE	2018-10-29
SHIP 1	A01-STERN PACKAGE-006		REV	A

BILL OF MATERIALS		
NAME	QUANTITY	MATERIAL DESCRIPTION
BOW - TRANSVERSE BULKHEAD	1	0.5CM THICK FOAM BOARD

NOTES:  
1. ALL DIMENSIONS IN CENTIMETERS



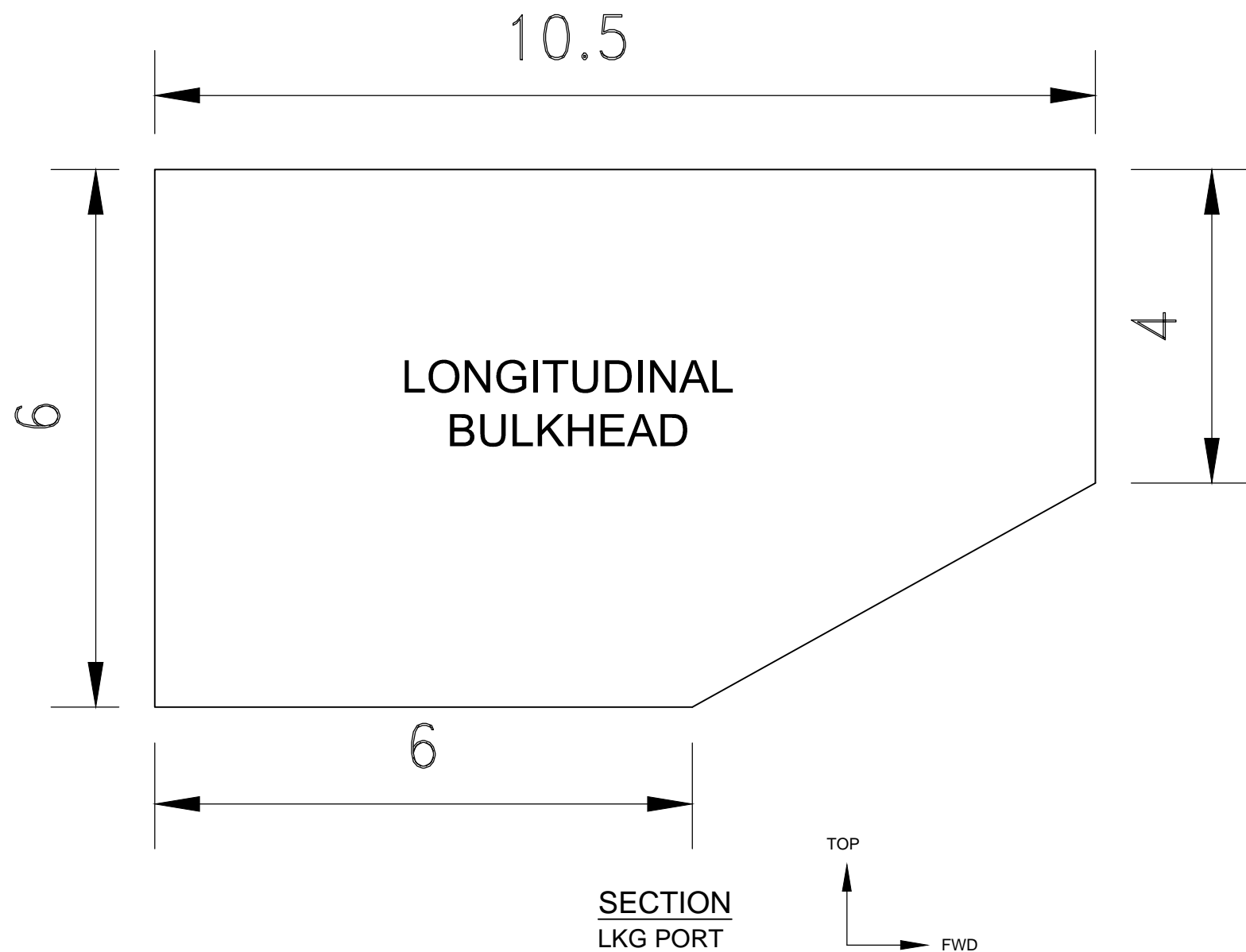
**SECTION**  
**LKG FWD**




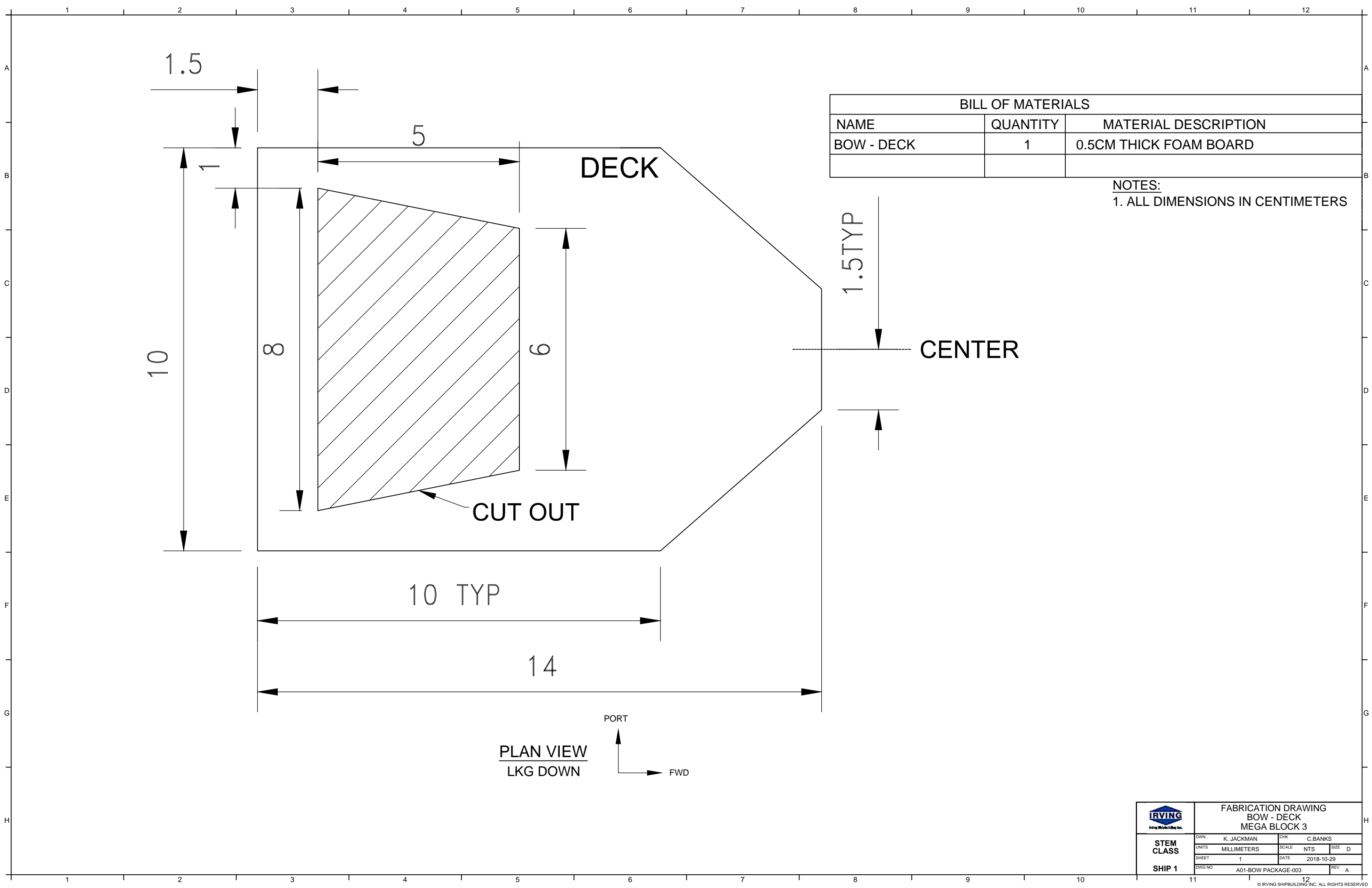
	FABRICATION DRAWING			
	BOW - TRANSVERSE BULKHEAD			
	MEGA BLOCK 3			
	DWN	K. JACKMAN	CHK	C. BANKS
STEM CLASS	UNITS MILLIMETERS	SCALE NTS	SIZE D	
SHEET	1	DATE	2018-10-29	
SHIP 1	BWG NO	A01-BOW PACKAGE-001	REV A	

BILL OF MATERIALS		
NAME	QUANTITY	MATERIAL DESCRIPTION
BOW - LONGITUDINAL BULKHEAD	1	0.5CM THICK FOAM BOARD

**NOTES:**  
1. ALL DIMENSIONS IN CENTIMETERS



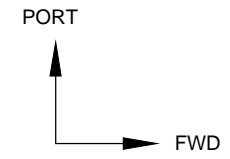
 <small>Irving Shipbuilding Inc.</small>	<b>FABRICATION DRAWING</b> <b>BOW - LONGITUDINAL BULKHEAD</b> <b>MEGA BLOCK 3</b>			
	DWN	K. JACKMAN	CHK	C. BANKS
<b>STEM CLASS</b>	UNITS	MILLIMETERS	SCALE	NTS
	SHEET	1	DATE	2018-10-29
<b>SHIP 1</b>	BWG NO	A01-BOW PACKAGE-002		REV
				A



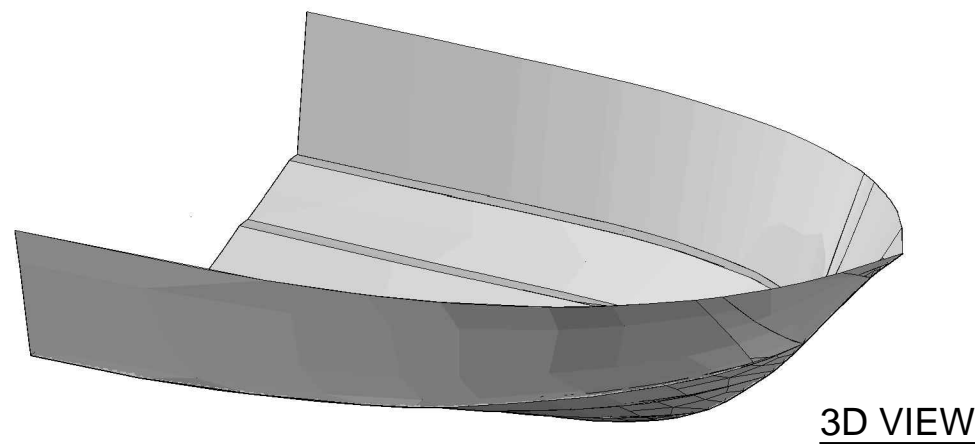
BILL OF MATERIALS		
NAME	QUANTITY	MATERIAL DESCRIPTION
BOW - DECK	1	0.5CM THICK FOAM BOARD

NOTES:  
1. ALL DIMENSIONS IN CENTIMETERS

PLAN VIEW  
LKG DOWN



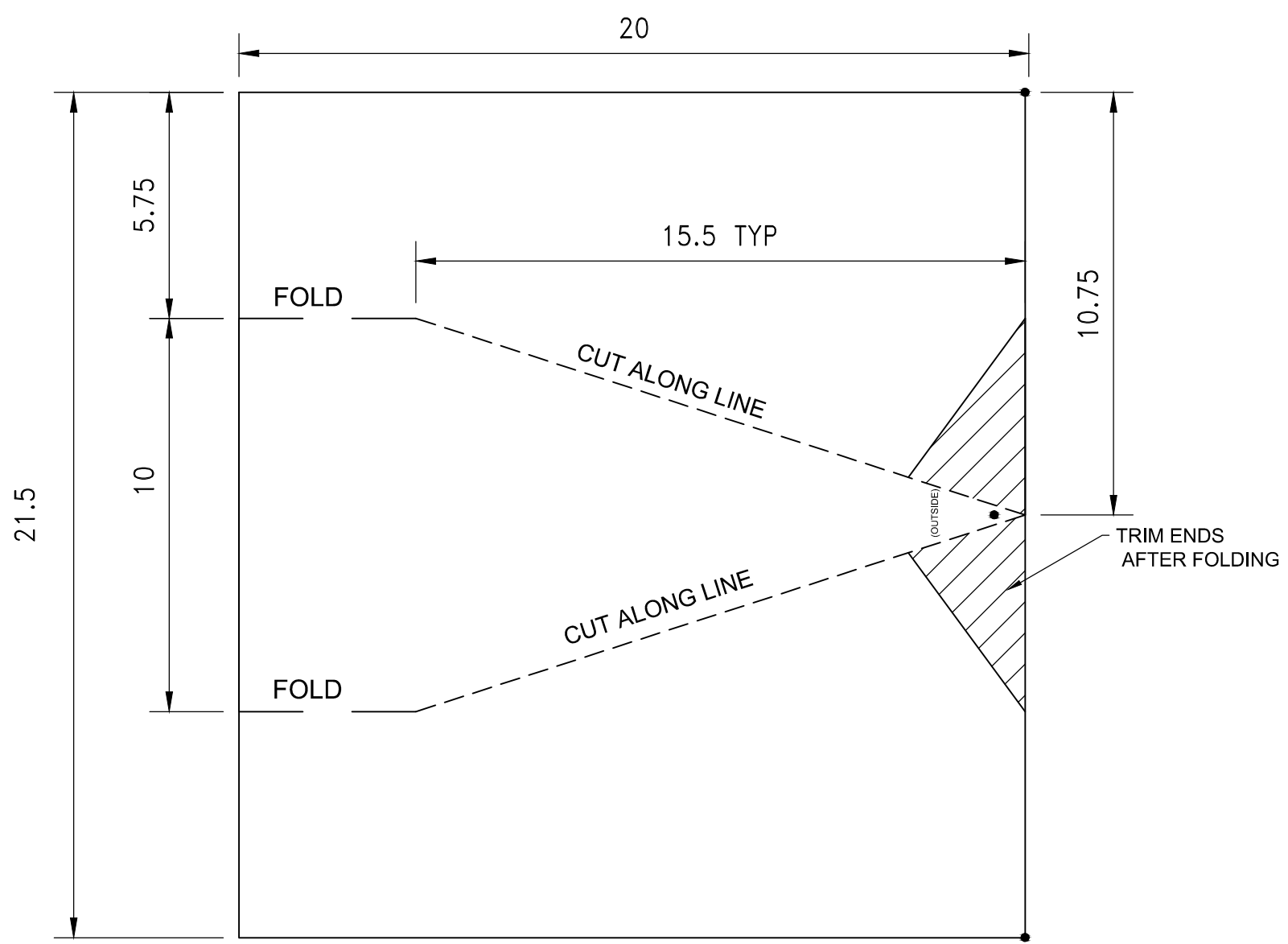
	FABRICATION DRAWING			
	BOW - DECK			
MEGA BLOCK 3				
DWN	K. JACKMAN	CHK	C. BANKS	
UNITS	MILLIMETERS	SCALE	NTS	SIZE D
SHEET	1	DATE	2018-10-29	
SHIP 1	BWG NO	A01-BOW PACKAGE-003	REV	A



**3D VIEW**

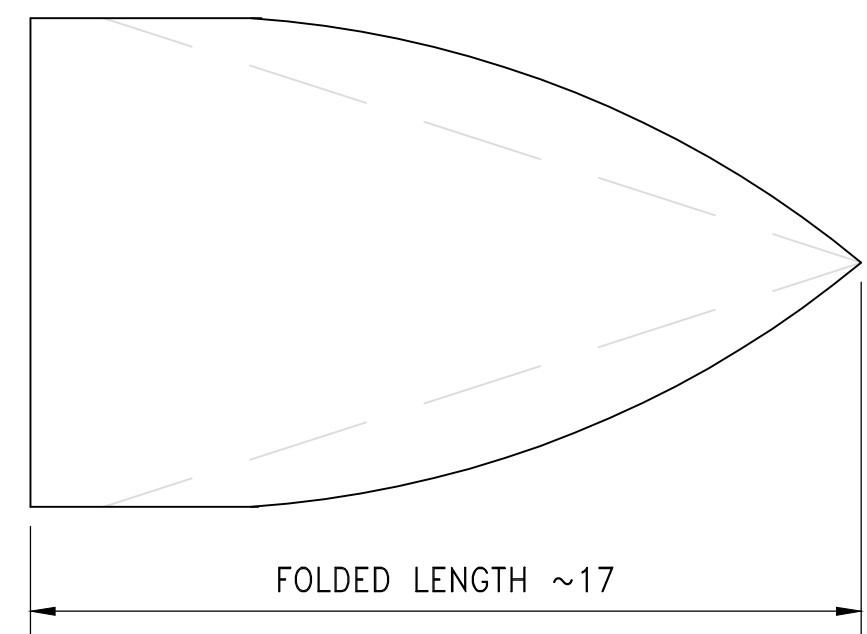
BILL OF MATERIALS		
NAME	QUANTITY	MATERIAL DESCRIPTION
BOW - SHELL	1	21.5X28CM BLACK PLASTIC PAPER

- NOTES:**
1. ALL DIMENSIONS IN CENTIMETERS
  2. DRAW FOLD LINES AND CUT LINES.
  3. CUT ALONG CUT LINE.
  4. BRING THE CORNERS MARKED WITH A CIRCLE TOGETHER TO OVERLAP, WITH THE MIDDLE SECTION, THE MIDDLE SECTION SHOULD BE ON THE OUTSIDE. STAPLE THESE 3 POINTS TOGETHER FIRST, THEN GLUE.



**PLAN VIEW 1**  
LKG DOWN  
UNFOLDED

PORT ↑  
FWD →



**PLAN VIEW 2**  
LKG DOWN  
UNFOLDED

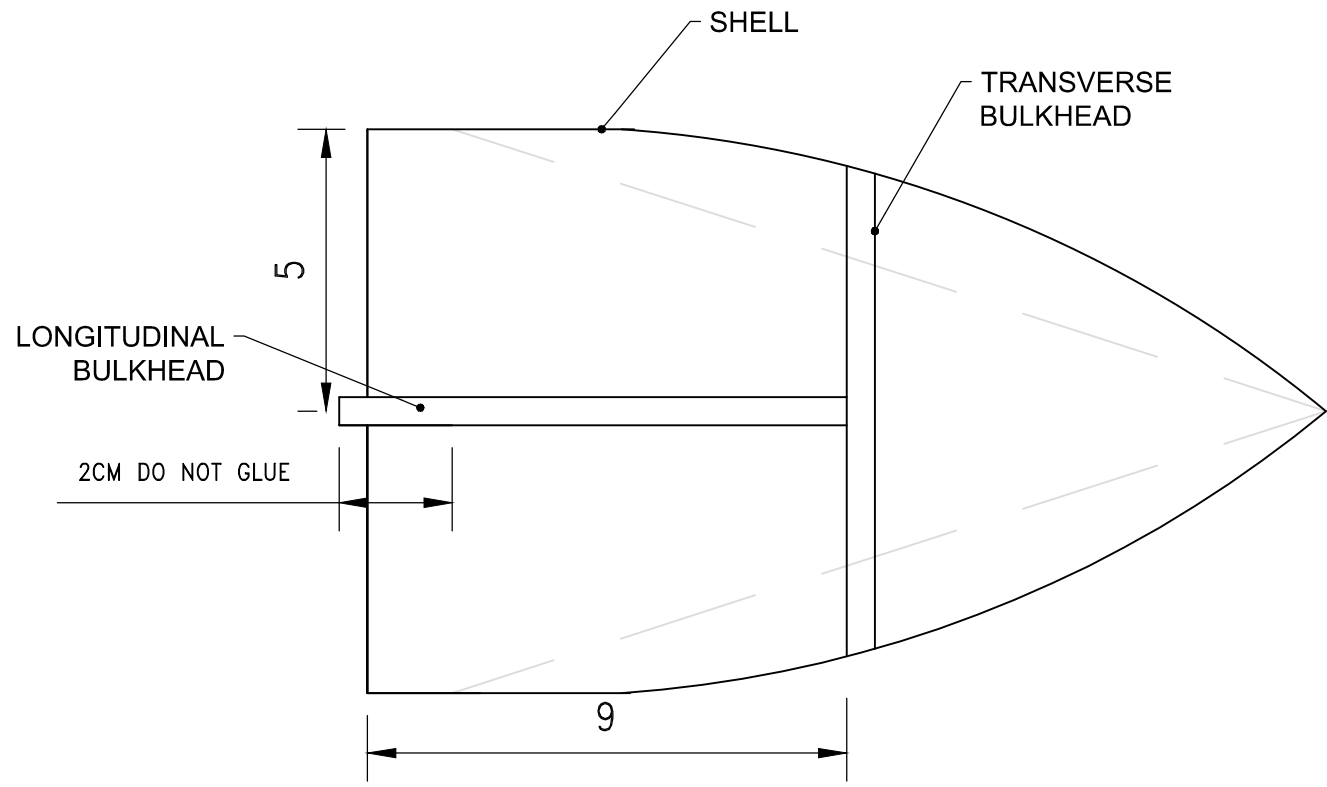
PORT ↑  
FWD →

FWD

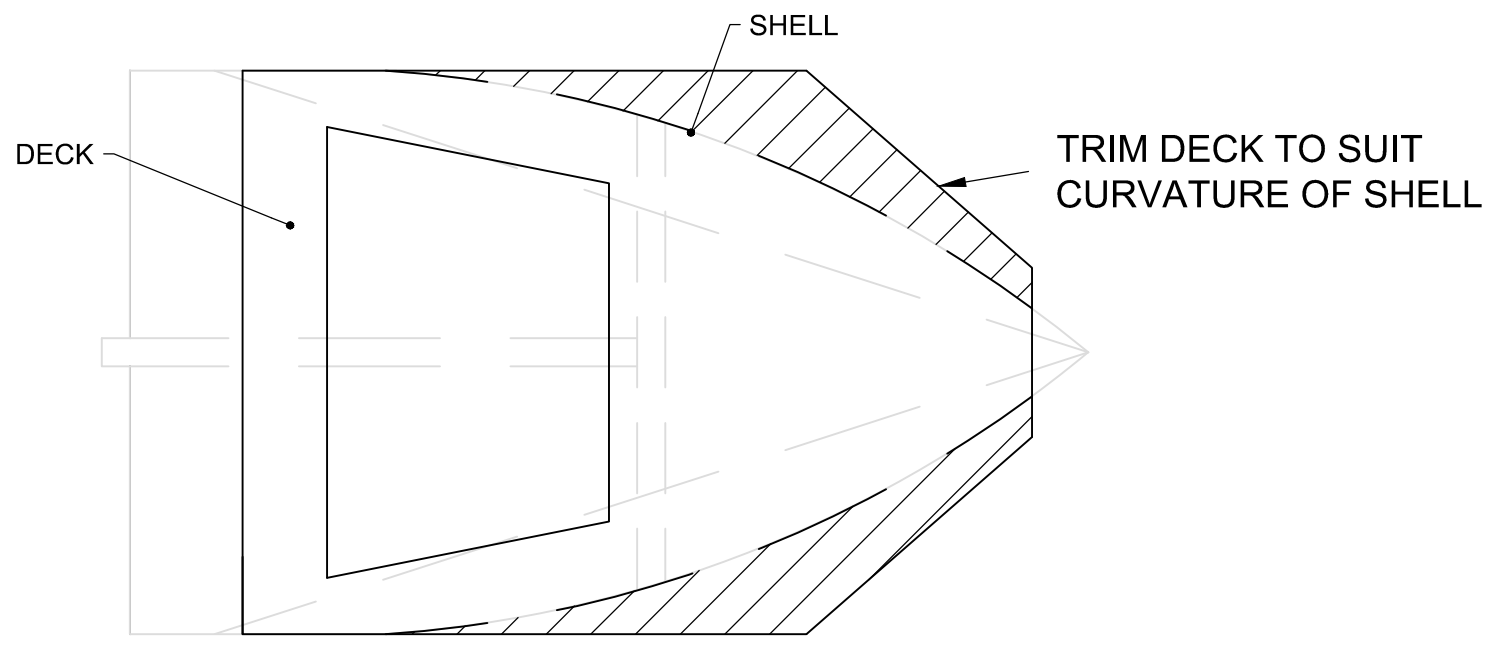
	FABRICATION DRAWING			
	BOW - SHELL			
	MEGA BLOCK 3			
	DWN	K. JACKMAN	CHK	C. BANKS
STEM CLASS	UNITS MILLIMETERS	SCALE	NTS	SIZE D
SHEET	1	DATE	2018-10-29	
SHIP 1	BWG NO	A01-BOW PACKAGE-004	REV	A

© IRVING SHIPBUILDING INC. ALL RIGHTS RESERVED





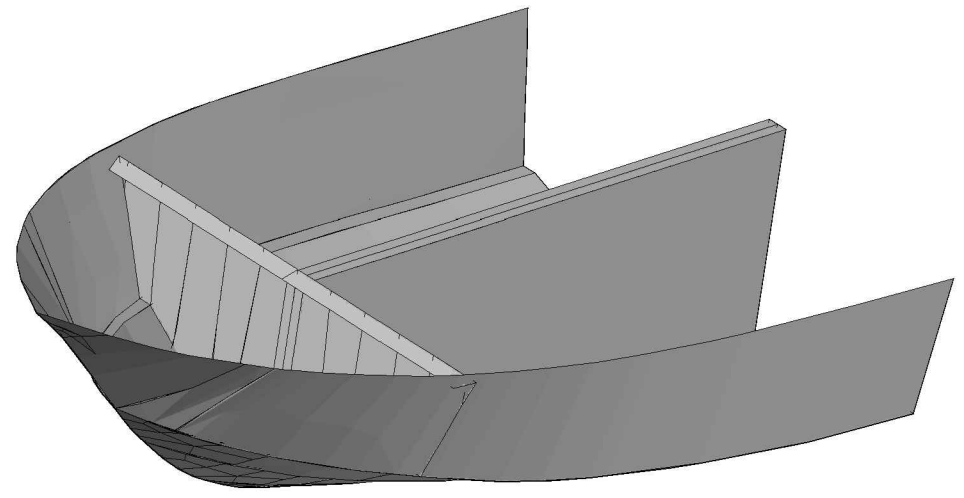
**PLAN VIEW 1**  
LKG DOWN  
BULKHEAD INSTALLATION



**PLAN VIEW 2**  
LKG DOWN  
DECK INSTALLATION

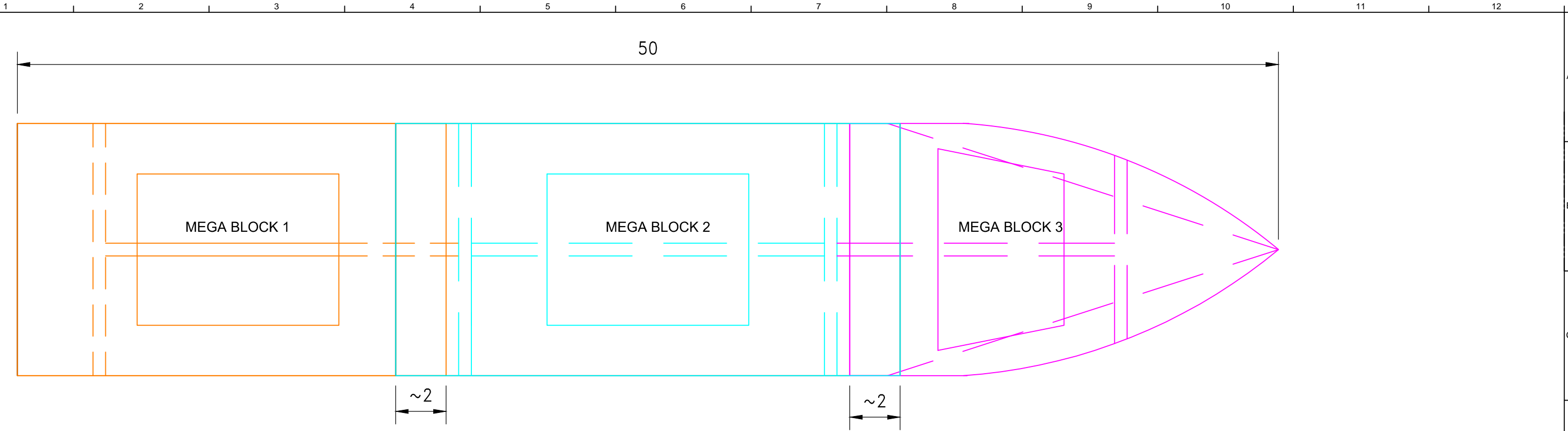
PARTS LIST	
NAME	QUANTITY
BOW - SHELL	1
BOW - LONGITUDINAL BULKHEAD	1
BOW - TRANSVERSE BULKHEAD	1
BOW - DECK	1

- NOTES:**
1. ALL DIMENSIONS IN CENTIMETERS
  2. TRIM BOTTOM PART OF BULKHEADS TO SUIT CURVATURE OF THE SHELL IF NEEDED.
  3. TRIM THE DECK TO SUIT THE CURVATURE OF THE SHELL.



**3D VIEW**  
(DECK NOT SHOWN FOR CLARITY)

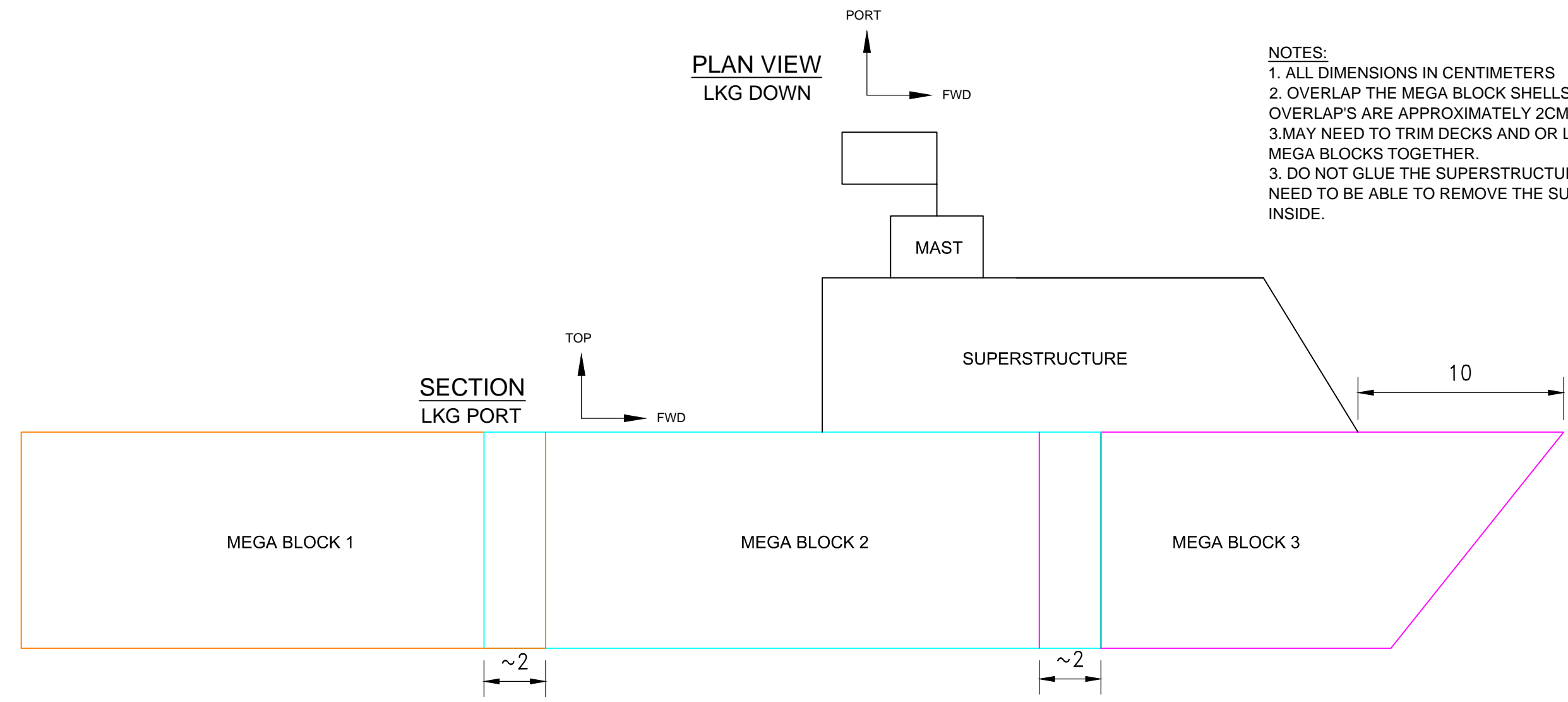
	ASSEMBLY DRAWING					
	BOW ASSEMBLY					
	MEGA BLOCK 3					
	DWN	K. JACKMAN	CHK	C. BANKS		
STEM CLASS	UNITS	MILLIMETERS	SCALE	NTS	SIZE	D
SHEET	1	DATE	2018-10-29			
SHIP 1	BWG NO	A01-BOW PACKAGE-005	REV	A		



**PLAN VIEW**  
LKG DOWN

PORT ↑  
FWD →

- NOTES:**
1. ALL DIMENSIONS IN CENTIMETERS
  2. OVERLAP THE MEGA BLOCK SHELLS TO GET A FULL SHIP LENGTH OF 50CM. OVERLAP'S ARE APPROXIMATELY 2CM.
  3. MAY NEED TO TRIM DECKS AND OR LONGITUDINAL BULKHEADS TO FIT MEGA BLOCKS TOGETHER.
  3. DO NOT GLUE THE SUPERSTRUCTURE ON, LIGHTLY TAPE IT. YOU WILL NEED TO BE ABLE TO REMOVE THE SUPERSTRUCTURE TO ADD WEIGHT INSIDE.



**SECTION**  
LKG PORT

TOP ↑  
FWD →

	ASSEMBLY DRAWING MEGA BLOCK JOIN SHIP 1			
	DWN	K. JACKMAN	CHK	C. BANKS
	UNITS	MILLIMETERS	SCALE	NTS SIZE D
	SHEET	1	DATE	2018-10-29
SHIP 1	DWG NO A01-MEGA BLOCK PACKAGE-001		REV	A